

GERMANY'S NO. 1\*  
PSU MANUFACTURER

be quiet!



# SYSTEM POWER B9

PROVEN RELIABILITY AND GOOD EFFICIENCY

600W • 450W • 350W • 300W

## IDEAL APPLICATIONS

Office applications  
Gaming systems  
Low-budget and quiet PC builds

## HIGHLIGHTS

80PLUS® Bronze efficiency  
DC-to-DC technology  
Multi-GPU support  
Quiet operation

### Proven Reliability and Good Efficiency

The be quiet! System Power B9 (bulk) series offers renowned be quiet! reliability and quietness for price-conscious PC builders.

#### Highlights »

- Production-optimized bulk packaging
- Rock-solid stability with two strong 12V-rails
- DC-to-DC technology for tight voltage regulation (600W and 450W)
- Multi-GPU support with up to two PCIe connectors
- Temperature-controlled 120mm fan reduces system noise
- Stand-by drain of less than 0.15 watts
- 80PLUS® Bronze efficiency (up to 89%)
- Attractive black sleeved cables (600W)
- Complete suite of top safety features
- Meets latest Intel® C6/C7, ErP and Energy Star 6.1 guidelines
- 3-year manufacturer's warranty
- Product conception, design and quality control in Germany

#### System Power B9 »

Simply the best price-conscious choice for stability, performance and quietness.



# SYSTEM POWER B9

PROVEN RELIABILITY AND GOOD EFFICIENCY

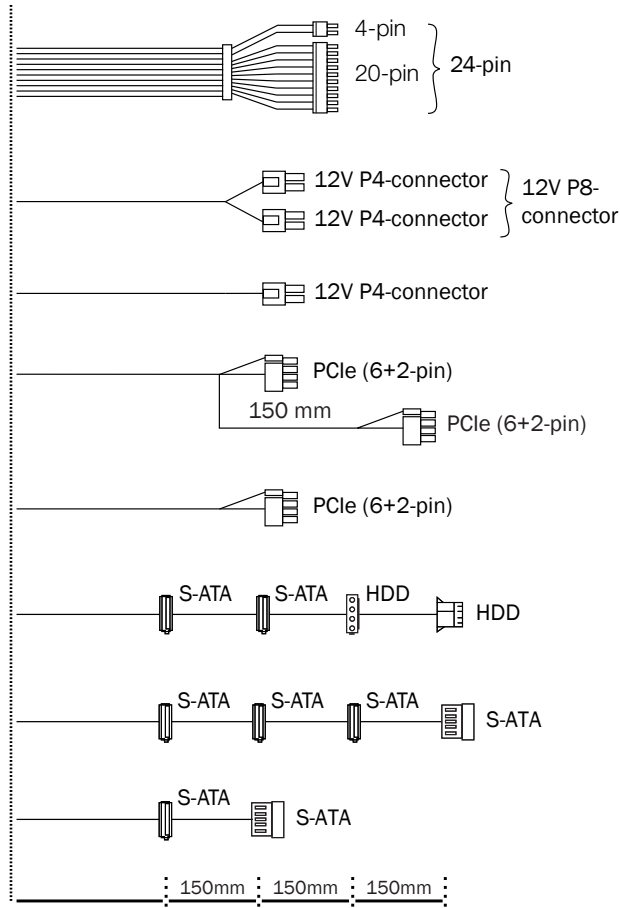
Technical Data »					
IN GENERAL	Model	600W	450W	350W	300W
	Article no.	BN209	BN208	BN207	BN206
	EAN code	4260052186015	4260052186008	4260052185995	4260052185988
	Voltage (Vac) / Frequency (Hz)	200-240 / 50	200-240 / 50	200-240 / 50	200-240 / 50
	Dimensions (L x W x H)	140 x 150 x 86	140 x 150 x 86	140 x 150 x 86	140 x 150 x 86
	ATX 12V 2.4 / EPS 12V 2.92	✓ / ✓	✓ / -	✓ / -	✓ / -
	High-quality fan (mm)	120	120	120	120
	Noise level (dB(A)) at 20 / 50 / 100% load	9.2 / 12.8 / 31.2	8.9 / 11 / 24	12.1 / 12.3 / 24.9	11.6 / 12.1 / 23.1
	12V-rails	2	2	2	2
	PFC	active	active	active	active
	Efficiency (%) at 230V	80PLUS® Bronze 230V EU internal / up to 89%	80PLUS® Bronze 230V EU internal / up to 89%	80PLUS® 230V EU internal / up to 87%	80PLUS® 230V EU internal / up to 87%
	Energy Star 6.1 compatible	✓	✓	✓	✓
	ErP ready / Power in stand-by (W)	✓ / 0.15	✓ / 0.15	✓ / 0.13	✓ / 0.13
	OCP, OVP, UVP, SCP, OPP, OTP	✓	✓	✓	✓
	Lifetime of PSU at 25°C (h)	100,000	100,000	100,000	100,000
Black-coated PSU case	✓	-	-	-	
CABLES	No. of cables	5	5	5	4
	Maximum cable length (cm)	95	95	85	85
	Length of ATX-connection cable (cm)	55	55	45	45
	Sleeved cables	✓	-	-	-
CONNECTORS	ATX motherboard (20+4-pin)	✓	✓	✓	✓
	PCI express (6+2-pin)	2	2	1	-
	P8-/P4-connector	1x P4+4	1x P4+4	1x P4+4	1x P4
	S-ATA (5-pin)	6	6	4	4
	P-ATA (4-pin)	2	2	2	2

Output Data »											
SYSTEM POWER B9 600W	AC Input	200-240Vac 50Hz 6A									
	DC Output	3.3V	5V	12V1	12V2	-12V	5VSB				
	Max. Current	24A	15A	28A	22A	0.3A	3A				
	Max. Combined Power	120W		576W		3.6W	15W	600W			
SYSTEM POWER B9 350W	AC Input	200-240Vac 50Hz 3A									
	DC Output	3.3V	5V	12V1	12V2	-12V	5VSB				
	Max. Current	19A	15A	20A	16A	0.3A	2.5A				
	Max. Combined Power	103W		324W		3.6W	12.5W	350W			
SYSTEM POWER B9 450W	AC Input	200-240Vac 50Hz 4A									
	DC Output	3.3V	5V	12V1	12V2	-12V	5VSB				
	Max. Current	24A	15A	23A	19A	0.3A	3A				
	Max. Combined Power	110W		420W		3.6W	15W	450W			
SYSTEM POWER B9 300W	AC Input	200-240Vac 50Hz 2.5A									
	DC Output	3.3V	5V	12V1	12V2	-12V	5VSB				
	Max. Current	17A	15A	18A	14A	0.3A	2.5A				
	Max. Combined Power	103W		276W		3.6W	12.5W	300W			

# SYSTEM POWER B9

PROVEN RELIABILITY AND GOOD EFFICIENCY

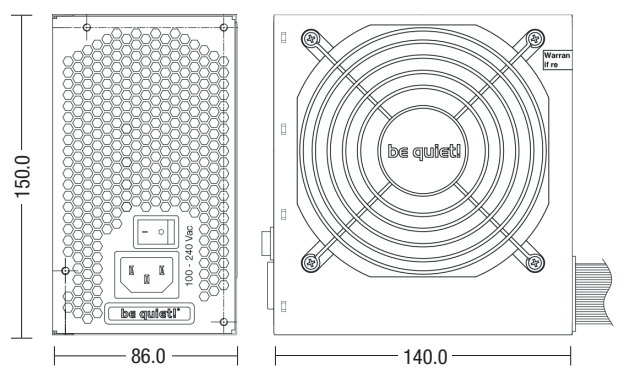
Cables »



Cable length to first connector

	600W	450W	350W	300W
24-pin ATX	550mm	550mm	450mm	450mm
12V P8-connector	600mm	600mm	450mm	-
12V P4-connector	-	-	-	450mm
PCIe (6+2-pin)	500mm	500mm	-	-
PCIe (6+2-pin)	-	-	450mm	-
S-ATA/HDD (2x S-ATA, 1x HDD)	500mm	500mm	400mm	400mm
S-ATA/HDD (3x S-ATA)	500mm	500mm	-	-
S-ATA/HDD (2x S-ATA)	-	-	400mm	400mm

Dimensions (mm) »



Certifications »

Contact »

Service Hotline: +49 40 7367 686 44 (Mo-Fr. 9:00-17:30)  
 Mail: [service@bequiet.com](mailto:service@bequiet.com)