

GS920 Series

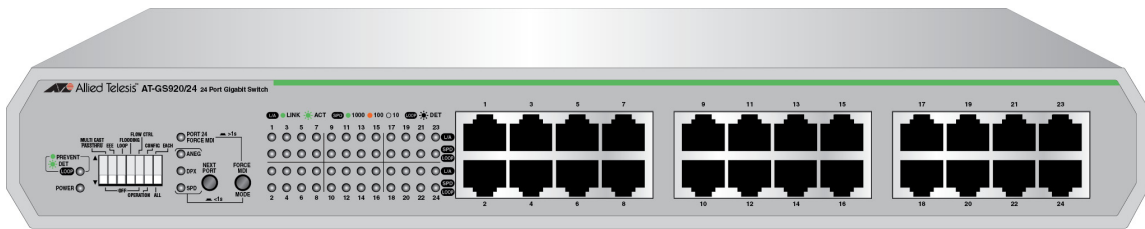
GIGABIT ETHERNET UNMANAGED SWITCHES

AT-GS920/24

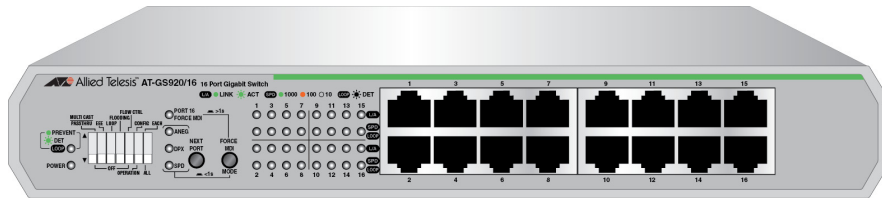
AT-GS920/16

AT-GS920/8

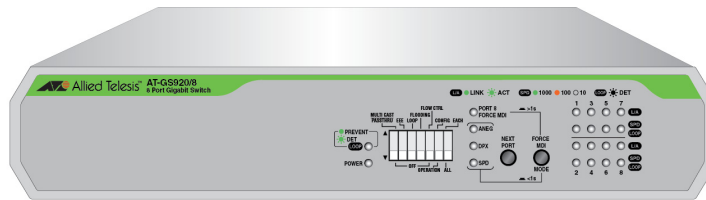
AT-GS920/8PS



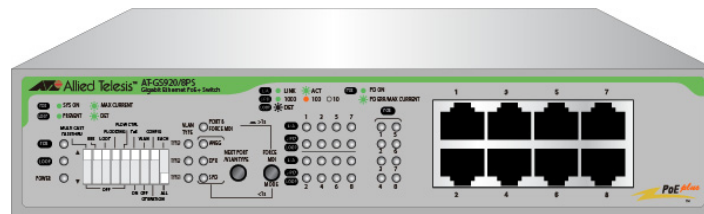
4131



4132



4133



4137

Installation and User's Guide

Copyright © 2019 Allied Telesis, Inc.

All rights reserved. No part of this publication may be reproduced without prior written permission from Allied Telesis, Inc.

Microsoft and Internet Explorer are registered trademarks of Microsoft Corporation. Netscape Navigator is a registered trademark of Netscape Communications Corporation. All other product names, company names, logos or other designations mentioned herein are trademarks or registered trademarks of their respective owners.

Allied Telesis, Inc. reserves the right to make changes in specifications and other information contained in this document without prior written notice. The information provided herein is subject to change without notice. In no event shall Allied Telesis, Inc. be liable for any incidental, special, indirect, or consequential damages whatsoever, including but not limited to lost profits, arising out of or related to this manual or the information contained herein, even if Allied Telesis, Inc. has been advised of, known, or should have known, the possibility of such damages.

Electrical Safety and Emissions Standards

This section contains the following:

- ❑ “US Federal Communications Commission”
- ❑ “Industry Canada”
- ❑ “Translated Safety Statements” on page 4

US Federal Communications Commission

Radiated Energy for the AT-GS920/24

Note

This equipment has been tested and found to comply with the limits for a Class A digital device pursuant to Part 15 of FCC Rules. These limits are designed to provide reasonable protection against harmful interference when the equipment is operated in a commercial environment. This equipment generates, uses, and can radiate radio frequency energy and, if not installed and used in accordance with this instruction manual, may cause harmful interference to radio communications. Operation of this equipment in a residential area is likely to cause harmful interference in which case the user will be required to correct the interference at his own expense.

Radiated Energy for the AT-GS920/16 and AT-GS920/8

Note

This equipment has been tested and found to comply with the limits for a Class B digital device pursuant to Part 15 of FCC Rules. These limits are designed to provide reasonable protection against harmful interference in a residential installation. This equipment generates, uses and can radiate radio frequency energy and, if not installed and used in accordance with instructions, may cause harmful interference to radio or television reception, which can be determined by turning the equipment off and on. The user is encouraged to try to correct the interference by one or more of the following measures:


- Increase the separation between the equipment and the receiver.
- Connect the equipment into an outlet on a circuit different from that to which the receiver is connected.
- Consult the dealer or an experienced radio/TV technician for help.

Industry Canada

Radiated Energy

- ☐ This Class A digital apparatus complies with Canadian ICES-003.
- ☐ Cet appareil numérique de la classe A est conforme à la norme NMB-003 du Canada.
- ☐ This Class B digital apparatus complies with Canadian ICES-003.
- ☐ Cet appareil numérique de la classe B est conforme à la norme NMB-003 du Canada.

Translated Safety Statements

Important: The  indicates that translations of the safety statement are available in the PDF document **Translated Safety Statements** posted on the Allied Telesis website at alliedtelesis.com/support.

Contents

Preface	9
Safety Symbols Used in this Document.....	10
Contacting Allied Telesis	11
Chapter 1: Product Description	13
Key Features	14
GS920 Series Overview	16
AT-GS920/24 Switch	16
AT-GS920/16 Switch	17
AT-GS920/8 Switch	17
AT-GS920/8PS Switch	18
Wall and Rack Mount Brackets	19
10/100/1000 Base-TX Twisted Pair Ports	20
Power Connector.....	21
Configuration Switches and LED Descriptions	22
Power LED	23
Loop Prevention LED	23
PoE LED (AT-GS920/8PS Only)	23
VLAN Type LEDs (AT-GS920/8PS Only).....	24
Port Mode LEDs	24
Port Status LEDs	25
Port POE LEDs.....	26
AT-GS920 Feature Descriptions.....	27
Duplex Mode	27
Store and Forward.....	27
Multicast Frame Pass-Through	28
Energy Efficiency Ethernet (EEE).....	28
Loop Prevention	28
Flooding.....	29
Backpressure and Flow Control	29
Chapter 2: Hardware Installation	31
Reviewing Safety Precautions	32
Selecting a Site for the Switch	36
Planning the Installation.....	37
Unpacking the Switch	38
AT-GS920/24 Shipping Contents	38
Unpacking the AT-GS920/24 Bracket Kit	39
AT-GS920/16 Shipping Contents	40
AT-GS920/8 Shipping Contents	41
AT-GS920/8PS Shipping Contents	42
Installing the Switch on a Table or Desktop.....	43
Installing the Switch on a Wall	44
Guidelines for Installing the Switch on a Wall.....	44
Items Need for Wall Installation.....	44
Wall Installation of AT-GS920/24	45
Wall Installation of AT-GS920/16 or AT-GS920/8	47
Installing the Switch in an Equipment Rack	50
Guidelines for Installing the Switch in a Rack.....	50

What to Prepare for Installation in a Rack	50
Rack Installation of AT-GS920/24	50
Rack Installation of AT-GS920/16 or AT-GS920/8	52
Cabling the Switch	57
Powering On the Switch	58
Chapter 3: Installing the AT-GS920/8PS Switch	61
Installing the AT-GS920/8PS Switch on a Table	62
Installing the AT-GS920/8PS Switch in an Equipment Rack	63
Installing Two Switches in One Row	63
Installing a Switch in One Row	65
Installing the AT-GS920/8PS Switch on a Wall	68
Guidelines	68
What to Prepare for Wall Installation	69
Installing the Switch on a Wall	69
Chapter 4: Switch Configuration	71
Configuration Switch and LED Locations	72
Feature Configuration	73
Multicast Frame Pass-Through	73
Energy Efficiency Ethernet (EEE)	76
Loop Prevention	78
Flooding	80
Flow Control	82
Ethernet Port Configuration	84
Force MDI/ MDI-X and Auto MDI/MDI-X	84
Configuring All Ports with the Same Speed and Duplex Settings	85
Configuring an Individual Port with Speed and Duplex	87
Configuring All Ports with Auto or Force MDI/MDI-X	88
Configuring an Individual Port with Auto or Force MDI/MDI-X	89
Resetting Ports to Default Settings	90
Chapter 5: Troubleshooting	93
Appendix A: Technical Specifications	95
Physical Specifications	95
Environmental Specifications	95
Safety	96
Electromagnetic Emissions Certifications	97
EMI (Electro Magnetic Interference)	97
ICES-003 Class A or B	97
EN55032: 2012/AC: 2013 Class A or B	97
CISPR 32	97
RCM AS/NZS CISPR 32: 2013	97
ANATEL	97
Immunity	97
Electrical Safety	97
EMS (Electromagnetic Susceptibility) EN55024:2010	98
Power Specifications	98
RJ-45 Twisted Pair Port Connectors	99
Appendix B: AT-GS920/24 Switch Wall Mount Installation	101
Unpacking the AT-BRKT-J22 Wall Mount Kit	102
Installing a Switch Using the AT-BRKT-J22 Wall Mount Kit	103
What to Prepare	103
Installing a Switch Using the AT-BRKT-J22 Brackets	103
Appendix C: Loop Prevention Feature	109
Guidelines for Loop Prevention	110
Root Switch	111
Root Switch Overview	111
Switch Priority	111

Root Switch	111
Non-root Switch	112
Examples of Selecting a Root Switch.....	112
Detecting and Blocking a Loop.....	113
Loop Detection	113
Blocked Port Selection Criteria.....	113
Port Blocked Within a LAN	114
Port Blocked on One Switch.....	115
Blocking a Port Affected by an External Loop	116
Hop Count Limitation	117

Preface

This Preface contains the following sections:

- “Safety Symbols Used in this Document” on page 10
- “Contacting Allied Telesis” on page 11

This manual is the installation and user’s guide for the GS920 Series Gigabit Ethernet Unmanaged Switches. The switch models included in this manual are:

- AT-GS920/24
- AT-GS920/16
- AT-GS920/8
- AT-GS920/8PS

Safety Symbols Used in this Document

This document uses the following conventions:

Note

Notes provide additional information.



Caution

Cautions inform you that performing or omitting a specific action may result in equipment damage or loss of data.



Attention

Les mises en garde vous informent que l'exécution ou l'omission d'une action spécifique peut endommager l'équipement ou entraîner une perte de données.



Warning

Warnings inform you that performing or omitting a specific action may result in bodily injury.



Advertissement

Les avertissements vous informent que l'exécution ou l'omission d'une action spécifique peut entraîner des blessures corporelles.

Contacting Allied Telesis

If you need assistance with this product, you may contact Allied Telesis technical support by going to the Support & Services section of the Allied Telesis web site at **www.alliedtelesis.com/support**. You can find links for the following services on this page:

- ❑ 24/7 Online Support - Enter our interactive support center to search for answers to your questions in our knowledge database, check support tickets, learn about Return Merchandise Authorization (RMA), and contact Allied Telesis technical experts.
- ❑ USA and EMEA phone support - Select the phone number that best fits your location and customer type.
- ❑ Hardware warranty information - Learn about Allied Telesis warranties and register your product online.
- ❑ Replacement Services - Submit an RMA request via our interactive support center.
- ❑ Documentation - View the most recent installation guides, user guides, software release notes, white papers and data sheets for your product.
- ❑ Software Updates - Download the latest software releases for your product.

For sales or corporate contact information, go to **www.alliedtelesis.com/purchase** and select your region.

Chapter 1

Product Description

This chapter contains the follows sections:

- ❑ “Key Features” on page 14
- ❑ “GS920 Series Overview” on page 16
- ❑ “Configuration Switches and LED Descriptions” on page 22
- ❑ “AT-GS920 Feature Descriptions” on page 27

Key Features

The GS920 Series switches have the following key features:

- ❑ Complies with IEEE802.3,IEEE802.3u,IEEE802.3ab, IEEE802.3x
- ❑ Supports 8 auto-negotiation 10/100/1000Mbps ports for AT-GS920/8 and AT-GS920/8PS
- ❑ Supports 16 auto-negotiation 10/100/1000Mbps ports for AT-GS920/16
- ❑ Supports 24 auto-negotiation 10/100/1000Mbps ports for AT-GS920/24
- ❑ Supports Store-and-forward packet forwarding
- ❑ Supports HOL blocking prevention
- ❑ Supports jumbo frames of 9216 bytes (inclusive) without frame loss and drops packets that are larger than 9216 bytes (exclusive)
- ❑ MAC address entries:
 - AT-GS920/8 and AT-GS920/8PS: up to 4K
 - AT-GS920/16: up to 8K
 - AT-GS920/24: up to 8K
- ❑ Supports link down and cable length power saving function
- ❑ Supports Multicast Frame Pass-Through which can be enabled or disabled by setting a DIP switch
- ❑ Supports AUTO MDI/MDI-X on all ports. All ports are capable of being configured for Fixed MDI-X except the last port which is configured for Fixed MDI. This feature is enabled and disabled by setting DIP switches and using a front panel push button.
- ❑ Supports IEEE 802.3x flow control in full-duplex operation and backpressure flow control in half-duplex operation. This feature is enabled or disabled by setting a DIP switch
- ❑ Supports loop detection and prevention function - can be enabled or disabled by setting a DIP switch
- ❑ Supports IEEE 802.3az EEE function only for 100M/1000M link speed - can be enabled or disabled by setting a DIP switch (EEE for 10M is not supported)
- ❑ Supports Flooding mode - can be enabled or disabled by setting a DIP switch
- ❑ Supports port speed and half/full duplex configurable function by setting the DIP switches and using a front panel push button.
- ❑ Each chassis has no fan.
- ❑ Internal switching power supply

- ❑ RoHS Compliant
- ❑ 0 to 50 degree C operating temperature
- ❑ Wall/Rack mount kit is provided within the AT-GS920/24 ship kit
- ❑ Support both wall mount and rack mount functions for RoW
- ❑ Support Power Over Ethernet (PoE) on AT-GS920/8PS
- ❑ Support the port-isolation VLAN feature on AT-GS920/8PS

GS920 Series Overview

The GS920 Series switch includes the following models and hardware features:

- ❑ “AT-GS920/24 Switch”
- ❑ “AT-GS920/16 Switch” on page 17
- ❑ “AT-GS920/8 Switch” on page 17
- ❑ “AT-GS920/8PS Switch” on page 18
- ❑ “Wall and Rack Mount Brackets” on page 19
- ❑ “10/100/1000 Base-TX Twisted Pair Ports” on page 20
- ❑ “Power Connector” on page 21

Each model uses an internal high efficiency PSU and a low power chipset to conform with the Allied Telesis commitment to environmentally friendly processes. They can all be installed on a desktop, mounted on a wall or mounted in a 19” rack.

Each switch features support for Multi-Cast Frame Pass-Through, IEEE802.3az Energy Efficiency power savings, Loop Detection and Prevention, Flooding Mode and Flow Control. These features are each configurable by dedicated front panel DIP switches. See “AT-GS920 Feature Descriptions” on page 27 and “Feature Configuration” on page 73 for more information.

In addition, the switch ports can be individually or collectively configured for auto-negotiation or manual duplex and speed settings. The highest number port’s default setting is MDI/MDI-X and can be forced to fixed MDI while all of the other ports can be forced to MDI-X. These port settings are configured by a combination of the front panel DIP switches and push buttons. See “Ethernet Port Configuration” on page 84 for more information.

AT-GS920/24 Switch

The AT-GS920/24 switch can be installed on a desktop, a wall, or in a 19-inch equipment rack. To mount the switch on the wall or in an equipment rack, use the brackets that are provided with the switch.

The AT-GS920/24 switch has 24 each 10/100/1000Base-TX twisted pair ports as shown in Figure 1.

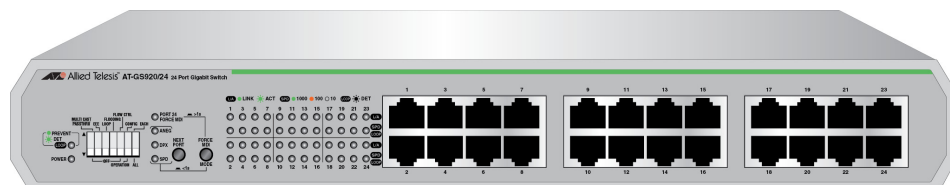


Figure 1. AT-GS920/24 Front Panel

The AT-GS920/24 switch has an internal power supply with a single AC power supply socket on the rear panel as shown in Figure 2.

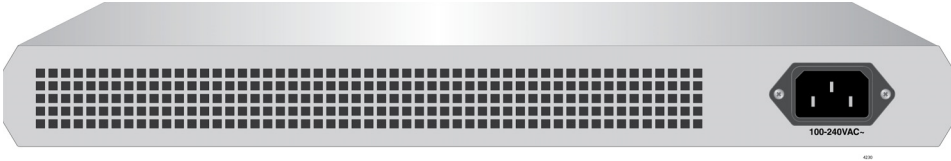


Figure 2. AT-GS920/24 Rear Panel

AT-GS920/16 Switch

The AT-GS920/16 switch can be installed on a desktop, mounted on a wall, or in a 19-inch equipment rack. To mount the switch on the wall or an equipment rack, you must order separate bracket kits. For more information, see Table 1, “Wall and Rack Mount Brackets” on page 19.

The AT-GS920/16 switch has 16 each 10/100/1000Base-TX twisted pair ports on the front panel as shown in Figure 3.

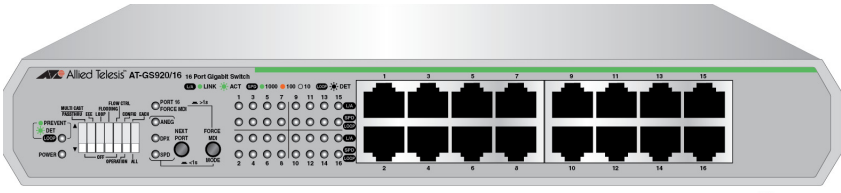


Figure 3. AT-GS920/16 Front Panel

The AT-GS920/16 switch has an internal power supply with a single AC power supply socket on the rear panel as shown in Figure 4.

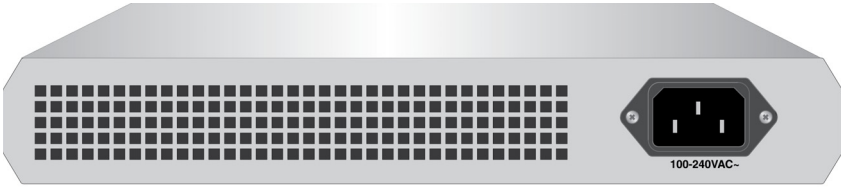


Figure 4. AT-GS920/16 Rear Panel

AT-GS920/8 Switch

The AT-GS920/8 switch can be installed on a desktop, mounted on a wall, or mounted in a 19-inch equipment rack. For wall mounting, the brackets are not provide with the AT-GS920 switch and must be ordered separately. See Table 1 on page 19 for more information.

The AT-GS920/8 switch has 8 each 10/100/1000Base-TX twisted pair ports as shown in Figure 5 on page 18.

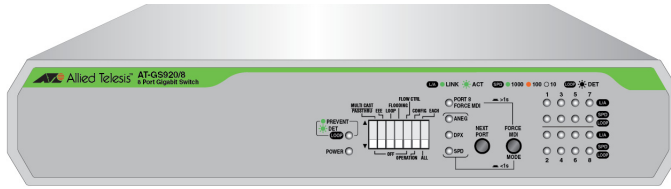


Figure 5. AT-GS920/8 Front Panel

The AT-GS920/8 switch has an internal power supply with a single AC power supply socket on the rear panel as shown in Figure 6.

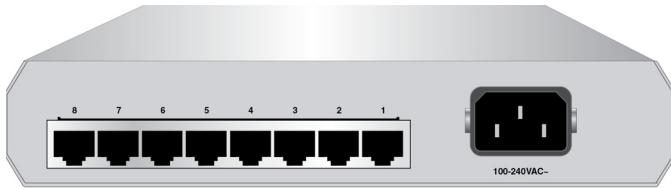


Figure 6. AT-GS920/8 Rear Panel

AT-GS920/8PS Switch

The AT-GS920/8PS is a PoE switch that can be installed on a desktop, mounted on a wall, or mounted in a 19-inch equipment rack. To install the switch on a wall or in an equipment rack, you need the optional wall/rack mount kits. See Table 1 on page 19 for more information.



Warning

To reduce the risk of electric shock, the PoE ports on this product must not connect to cabling that is routed outside the building where this device is located. *E40*



Attention

Pour réduire les risques d'électrocution, les ports PoE de ce produit ne doivent pas être connectés à un câble acheminé à l'extérieur du bâtiment dans lequel ce périphérique est situé. *E40*

The AT-GS920/8PS switch has 8 each 10/100/1000Base-TX twisted pair ports as shown in Figure 7.

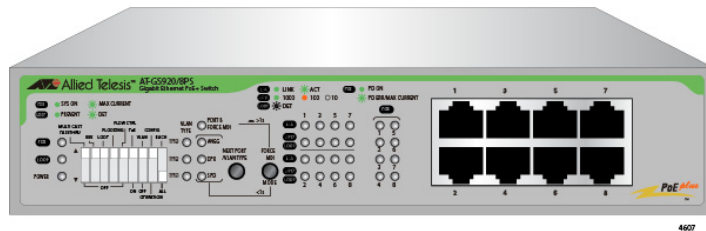


Figure 7. AT-GS920/8PS Front Panel

The AT-GS920/8PS switch has an internal power supply with a single AC power supply socket on the rear panel as shown in Figure 8.



Figure 8. AT-GS920/8PS Rear Panel

Wall and Rack Mount Brackets

Table 1 shows brackets options for the GS920 Series switches.

Note

All the optional AT-BRKT wall-mount and AT-RKMT rack-mount kits must be ordered separately.

Table 1. Wall and Rack Mount Brackets

Model	Wall Mount	Rack Mount
AT-GS920/24	Use the Wall/Rack Mount Kit provided in the shipping box for all installations except in Japan. For Japan installations, use the optional AT-BRKT-J22 Wall Mount Kit instead.	Use the Wall/Rack Mount Kit provided in the shipping box for all installations.
AT-GS920/16	Use the optional AT-BRKT-J23 wall mount kit.	Use the optional AT-RKMT-J05 optional 19" rack mount kit.
AT-GS920/8	Use the optional AT-BRKT-J23 wall mount kit.	Use the optional AT-RKMT-J08 optional 19" rack mount kit.
AT-GS920/8PS	Use the optional AT-BRKT-J24 wall mount kit.	To install one switch in one row, use the optional AT-RKMT-14 rack mount kt. To install two switches in one row, use the optional AT-RKMT-J15 rack mount kit.

10/100/1000 Base-TX Twisted Pair Ports

The GS920 Series switches are equipped with multiple 10/100/1000Base-TX twisted pair ports

Connector

All twisted pair ports feature 8-pin RJ-45 connectors. For the port pinouts, see "RJ-45 Twisted Pair Port Connectors" on page 99.

Speed

The ports are 10Base-T, 100Base-TX, and 1000Base-T compliant and capable of 10 Mbps, 100 Mbps, and 1000 Mbps speeds. The ports default configuration is IEEE 802.3u Auto-Negotiation compliant. With Auto-Negotiation enabled, the switch automatically matches the highest possible common speed between the switch port and its end-node. For example, if an end-node is capable of only 10 Mbps, the switch sets the port connected to the end-node to 10 Mbps.

Alternatively, each port can be manually configured to 10 Mbps, 100 Mbps, and 1000 Mbps via the switches and push buttons. See "MDI/MDI-X" for the corresponding description of the MDI-X configuration.

Duplex Mode

Each twisted pair port on the switch can operate in either half- or full-duplex mode at 10/100 Mbps and full-duplex mode only when operating at 1000 Mbps. The duplex default settings of the twisted pair ports are IEEE 802.3u-compliant and automatically negotiate the duplex mode setting.

Note

In order for the switch to automatically set the duplex mode for each port correctly at 10/100 Mbps, the end-nodes that you connect to the switch ports also need to be configured for Auto-Negotiation. Otherwise, a duplex mode mismatch can occur, affecting network performance. For further information, refer to "Duplex Mode" on page 27.

With the DIP switches and push buttons, each port can be manually configured for one of the following duplex modes: Auto-Negotiation, 1000M/Full, 100M/Full, 100M/Half, 10M/Full, 10M/Half.

MDI/MDI-X

The default configuration for all of the twisted pair ports on the switch is auto-MDI/MDI-X where the ports automatically configure themselves as MDI or MDI-X when connected to an end-node. Auto-MDI/MDI-X is in effect when the ports are configured for Auto-Negotiation or 1000M/FULL. In this mode, you can use a straight-through twisted pair cable to connect any network device to a port.

Note

See “Ethernet Port Configuration” on page 84 for the port configuration procedures.

You can manually force the highest numbered port to fixed MDI by using one of the front panel push buttons. When all of the ports are configured at once, then the configuration for all other ports is fixed MDI-X.

When a port is manually configured for a speed of 10M or 100M, then that port is also configured for fixed MDI-X except in the case of the highest numbered port, which is set to fixed MDI.

Cabling

Table 2 contains the cabling specifications for the twisted pair ports.

Table 2. Twisted Pair Cabling and Distances

Speed	Type of Cable	Maximum Operating Distance
10 Mbps	Two-pair Category 3 or better unshielded twisted pair cable	100 m (328 ft)
100 Mbps	Two-pair Category 5 or better unshielded twisted pair cable	100 m (328 ft)
1000 Mbps	Four-pair Category 5e or better unshielded twisted pair cable	100 m (328 ft)

Power Connector

The AT-GS920 switches have a single AC power supply socket on the back panel. Use the AC power cord that is supplied with the switch.

Note

To power the switch ON or OFF, connect or disconnect the power cord from the switch.

Configuration Switches and LED Descriptions

The LEDs display status information when the switch is in a Normal operating mode or in a Configuration mode.

The GS920 Series LEDs and configuration switches are located on the front panel of the chassis. Refer to Figure 9 for their locations.

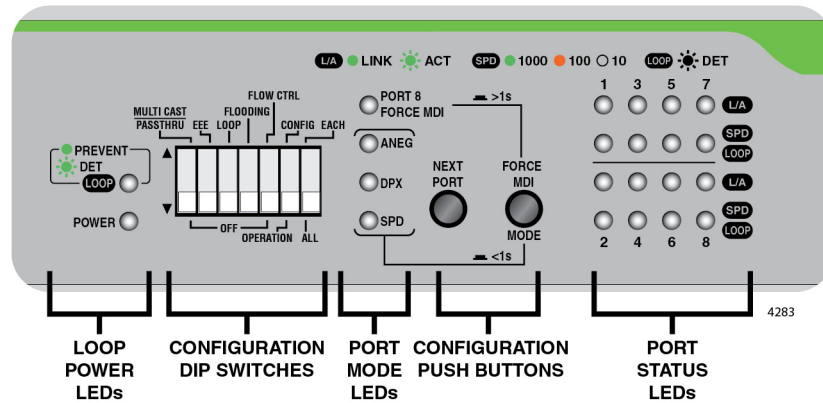


Figure 9. AT-GS920/8 Front Panel Configuration DIP Switches and LEDs

Note

The front panel Configuration switches and LED locations are shown for the AT-GS920/8 switch. Similar switch and LED layouts can also be found on the AT-GS920/24 and AT-GS920/16 front panels.

The AT-GS920/8PS LEDs and configuration switches are shown in Figure 10 for their locations. The AT-GS920/8PS switch has additional LEDs and DIP switches for the PoE and port-isolation VLAN functions.

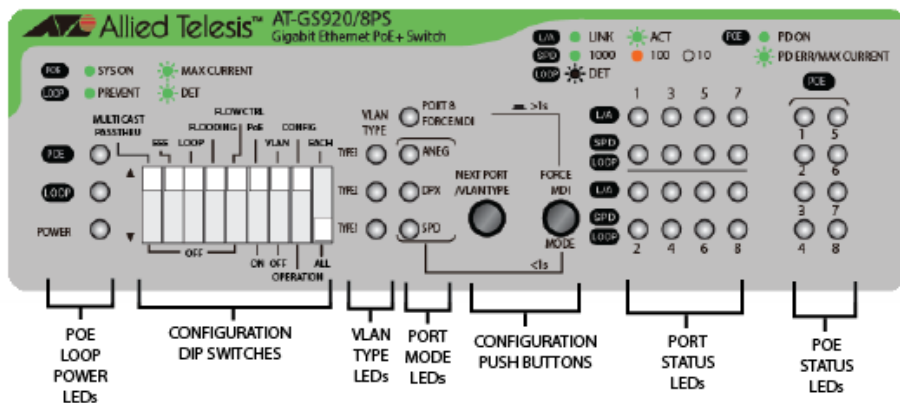


Figure 10. AT-GS920/8PS Configuration DIP Switches and LEDs

The following tables describe the LED groups on the GS920 Series switches:

- ❑ “Power LED”
- ❑ “Loop Prevention LED” on page 23
- ❑ “Port Mode LEDs” on page 24
- ❑ “Port POE LEDs” on page 26

Power LED

The Power LED indicates the status of the chassis power being ON or OFF. See Table 3, “Power LED”.

Table 3. Power LED

LED	State	Description
PWR	Green ON	Power ON
	OFF	Power OFF

Loop Prevention LED

The Loop Prevention LED indicates if the Loop Prevention feature is enabled or disabled and if a loop condition has been detected and blocked on one of the Ethernet ports. See Table 4, “Loop Prevention LED”.

Table 4. Loop Prevention LED

LED	State	Description
LOOP Prevention	Green ON	Enable Loop Prevention
	Green Blinking	Loop condition detected
	OFF	Disable Loop Prevention

PoE LED (AT-GS920/8PS Only)

The PoE LED indicates the status of the PoE function on the switch. See Table 4.

Table 5. PoE LED

LED	State	Description
PoE	Green ON	The PoE system is up and running.
	Green Blinking (fast)	The switch does not have enough power budget to provide to requesting PDs.
	OFF	The PoE system is not ready.

**VLAN Type LEDs
(AT-GS920/8PS Only)**

When the Ethernet ports are being configured for the port-isolation VLAN feature, the VLAN Type LEDs indicate their configuration. See Table 6.

Table 6. VLAN LEDs

LED	State	Description
VLAN TyPE1	Green ON	In the Operation mode, Type 1 is enabled. In the Config mode, Type 1 is selected.
	OFF	In the Operation mode, Type 1 is disabled. In the Config mode, Type 1 is not selected.
VLAN TyPE2	Green ON	In the Operation mode, Type 2is enabled. In the Config mode, Type 2is selected.
	OFF	In the Operation mode, Type 2 is disabled. In the Config mode, Type 2is not selected.
VLAN TyPE3	Green ON	In the Operation mode, Type 3is enabled. In the Config mode, Type 3is selected.
	OFF	In the Operation mode, Type 3 is disabled. In the Config mode, Type 3 is not selected.

Port Mode LEDs

See “Ethernet Port Configuration” on page 84 for the configuration procedures and more information.

When the Ethernet ports are being configured, the Port Mode LEDs indicate their configuration. See Table 7, “Port Mode LEDs”.

Table 7. Port Mode LEDs

LED	State	Description
Force MDI ^{a, b}	Green ON	Select Enabled - FORCE MDI for the highest Ethernet port and fixed MDI-X for all other Ethernet ports.
	OFF	Select Auto MDI/MDI-X
Auto-Negotiation	Green ON	Select Enabled - Auto-Negotiation
	OFF	Select Disabled - Auto-Negotiation
Duplex	Green ON	Select Full Duplex Mode
	OFF	Select Half Duplex Mode
Speed	Green ON	Select 1000M speed
	Amber ON	Select 100M speed
	OFF	Select 10M speed

Table 7. Port Mode LEDs

LED	State	Description
ALL Mode LEDs	Green Blinking	Reset to default indication when blinking on all 4 MODE LEDs

- a. When the port speed is configured for Auto Negotiation or 1000M/Full, the MODE/FORCE MDI push button affects the FORCE MDI LED as described above.
- b. When the port speed is configured individually or altogether for 100M or 10M, the respective ports are always configured as follows:
 AT-GS920/8: Ports 1-7 => MDI-X, Port 8 => MDI
 AT-GS920/16: Ports 1-15 => MDI-X, Port 16 => MDI
 AT-GS920/24: Ports 1-23 => MDI-X, Port 24 => MDI

Port Status LEDs Two ports status LEDs are assigned to each port. When the switch is in the Normal operating mode, the upper port LED indicates the Link/Activity status, and the lower LED indicates the port speed and loop detection status. When the switch is in the Configuration mode, the upper port LED is OFF and the lower LED indicates if the specific port is selected to be configured. See Table 8.

Table 8. Port Status LEDs for Normal and Configuration Modes

Mode	Port LED Position	LED	State	Description
Normal Mode	Upper LEDs	Link/Activity	Green ON	Valid Link has been established
			Green Blinking	Transmitting or Receiving Data
			OFF	No Link
	Lower LEDs	SPEED	Green ON	1000Mbps Link
			Amber ON	100Mbps Link
			OFF	10Mbps Link or No Link
		LOOP Indication	Green Blinking	1000Mbps Link. A loop condition is detected and the port is automatically blocked by switch to relieve the loop.
			Amber Blinking	100Mbps or 10Mbps Link. A loop condition is detected and the port is automatically blocked by switch to relieve the loop.

Table 8. Port Status LEDs for Normal and Configuration Modes

Mode	Port LED Position	LED	State	Description
Configuration Mode	Lower LEDs ^a	Port Select	Green Blinking ^b	Indicates the port is selected and eligible to be configured with front panel DIP switches.
			OFF	Port is not selected.

a. The Upper LED for each port is not used in the Configuration Mode.

b. When all of the Lower LEDs are blinking together in the Configuration Mode, then all of the Ethernet ports are eligible to be configured at once. When only one of the Lower LEDs is blinking, then that port is eligible to be individually configured.

Port POE LEDs The port PoE LEDs indicates the PoE status on ports individually. See Table 9.

Table 9. PoE LED

LED	State	Description
PoE	Green ON	The switch is providing power to powered devices (PDs).
	Green Blinking (Slow)	The switch does not have enough power budget to provide power to requesting PDs.
	Green Blinking (Fast)	An error is detected.
	OFF	The switch does not detect any PDs.

AT-GS920 Feature Descriptions

An Ethernet switch interconnects network devices, such as workstations, printers, routers, and other Ethernet switches, so that they can communicate with each other by sending and receiving Ethernet frames. This section discusses the following features:

- ❑ “Duplex Mode”
- ❑ “Store and Forward”
- ❑ “Multicast Frame Pass-Through”
- ❑ “Energy Efficiency Ethernet (EEE)”
- ❑ “Loop Prevention”
- ❑ “Flooding”
- ❑ “Backpressure and Flow Control”

Duplex Mode

Duplex mode refers to how an end node receives and transmits data. If an end node can receive or transmit data, but not both simultaneously, it is operating in half-duplex mode. If an end node can both receive and transmit data simultaneously, the end node is operating in full-duplex mode. As such an end node capable of operating in full-duplex can handle data much faster than an end node that can only operate in half-duplex mode.

The twisted pair ports on the GS920 Series switch can operate in half- or full-duplex mode for 10/100 Mbps. They are IEEE 802.3u-compliant and use Auto-Negotiation to set the duplex mode setting for you automatically.

Note

In order for a switch port to successfully Auto-Negotiate its duplex mode with a 10 or 100 Mbps end-node, the end-node should also be configured for Auto-Negotiation. Otherwise, a duplex mode mismatch can occur. A switch port using Auto-Negotiation defaults to half-duplex if it detects that the end-node is not using Auto-Negotiation. This results in a mismatch if the end-node is operating at a fixed duplex mode of full-duplex.

Store and Forward

The GS920 Series switch uses store-and-forward as the method for receiving and transmitting frames. When an Ethernet frame is received on a switch port, the switch does not retransmit the frame out the destination port until it has received the entire frame and stored the frame in a port buffer. It then examines the frame to determine if it is a valid frame. Invalid frames such as fragments or runts are discarded by the switch. This insures that only valid frames are transmitted out the switch ports and that damaged frames are not propagated on your network.

Multicast Frame Pass-Through

The Multicast Frame Pass-Through function includes EAP, BPDU frame types and others.

Note

When Multicast Frame Pass-Through is enabled, the Flooding feature must be disabled.

This feature can be enabled or disabled by setting DIP switch # 1 (MULTICAST PASSTHRU). See "Multicast Frame Pass-Through" on page 73 for the procedure to enable and disable this feature.

Energy Efficiency Ethernet (EEE)

The GS920 Series switches support IEEE 802.3az Energy Efficiency Ethernet (EEE) when the twisted pair ports are operating at a speed of 100Mbps or 1000Mbps. When EEE is enabled on the switch, the power consumption to keep links at these speeds is reduced during periods of low data activity.

Note

When a GS920 Series switch is operating 10Mbps, EEE is not supported.

This feature can be enabled or disabled by setting DIP switch # 2 (EEE). See "Energy Efficiency Ethernet (EEE)" on page 76 for the procedure to enable and disable this feature.

Loop Prevention

The GS920 Series switches support Loop Prevention. When a physical network has more than one path between two endpoints, a network loop occurs. This results in a broadcast storm which slows all other Ethernet traffic on the network. With Loop Prevention enabled, the GS920 Series switches block the specific switch port that is associated with the excessive traffic.

Please refer to Appendix C, "Loop Prevention Feature" on page 109 for a more detailed explanation of this feature,

Note

Flow Control must be disabled when Loop Prevention is enabled. Loop Prevention is not supported when Flow Control is also enabled.

This feature can be enabled or disabled by setting DIP switch # 3 (Loop). See "Loop Prevention" on page 78 for the procedure to enable and disable this feature.

Flooding The Flooding mode allows all received legal frames to be switched through the GS920 Series switch.

Note

The Flooding mode has a higher priority and takes precedence over the Multicast Frame Pass-Through feature. If the Multicast Frame Pass-Through feature is desired, then the Flooding feature must be disabled.

This feature can be enabled or disabled by setting DIP switch # 4 (Flooding). See “Flooding” on page 80 for the procedure to enable and disable this feature.

Note

The GS920 series switches DO NOT SUPPORT the combination of Flooding & Flow Control. If both the flooding and flow control features are enabled at once, traffic will be stopped by pause packet.

For example: 1G traffic --> 10Mbps, 100Mbps, then 1G traffic will be 10Mbps because of pause packet.

Backpressure and Flow Control

To maintain the orderly movement of data between the end-nodes, an Ethernet switch may periodically need to signal an end-node to stop sending data. This can occur under several circumstances. For example, if two end-nodes are operating at different speeds, the switch, while transferring data between the end-nodes, might need to instruct the faster end-node to stop transmitting data to allow the slower end-node to catch up. An example of this would be when a server operating at 100 Mbps is sending data to a workstation operating at only 10 Mbps.

How a switch signals an end-node to stop transmitting data differs depending on the duplex mode of the end-node and switch port. A twisted pair port operating in half-duplex mode stops an end-node from transmitting data by forcing a collision. A collision on an Ethernet network occurs when two end-nodes attempt to transmit data using the same data link at the same time. A collision causes an end-node to stop sending data, wait for a brief period of time, and then retransmit the same data. Once the switch is ready to receive data again, the switch stops forcing collisions. This is referred to as backpressure.

A port operating in full-duplex mode uses PAUSE frames, as specified in the IEEE 802.3x standard, to stop the transmission of data from an end-node. Whenever the switch wants an end-node to stop transmitting data, it issues this frame. The frame instructs the end-node to cease transmission for a period of time specified within the frame. The switch continues to issue PAUSE frames until it is ready again to receive data from the end-node. This is referred to as flow control. Refer to Table 10, "Flow Control - Supported Speeds" on page 30 for Backpressure and Flow control support vs. port speed.

Table 10. Flow Control - Supported Speeds

Speed Configuration	Flow Controllable	
	Pause Frame	Back Pressure
Auto Negotiation	Support	Support
1G Full Auto	Support	Not Support
100M Full	Not Support	Not Support
100M Half	Not Support	Support
10M Full	Not Support	Not Support
10M Half	Not Support	Support

This feature can be enabled or disabled by setting DIP switch # 5 (FLOW CTRL). See "Flow Control" on page 82 for the procedure to enable and disable this feature.

Note

The GS920 series switches DO NOT SUPPORT the combination of Flooding & Flow Control. If both the flooding and flow control features are enabled at once, traffic will be stopped by pause packet.

For example: 1G traffic --> 10Mbps, 100Mbps, then 1G traffic will be 10Mbps because of pause packet.

Chapter 2

Hardware Installation

This chapter contains the following sections:

- ❑ “Reviewing Safety Precautions” on page 32
- ❑ “Selecting a Site for the Switch” on page 36
- ❑ “Planning the Installation” on page 37
- ❑ “Unpacking the Switch” on page 38
- ❑ “Installing the Switch on a Table or Desktop” on page 43
- ❑ “Installing the Switch on a Wall” on page 44
- ❑ “Installing the Switch in an Equipment Rack” on page 50
- ❑ “Cabling the Switch” on page 57
- ❑ “Powering On the Switch” on page 58

Reviewing Safety Precautions

Review the following safety precautions before you begin to install the switch.

Note

Important: The ⚡ indicates that translations of the safety statement are available in the PDF document *Translated Safety Statements* posted on the Allied Telesis website at alliedtelesis.com/support.



Warning

To prevent electric shock, do not remove the cover. No user-serviceable parts inside. This unit contains hazardous voltages and should only be opened by a trained and qualified technician. To avoid the possibility of electric shock, disconnect electric power to the product before connecting or disconnecting the cables. ⚡ E1



Advertissement

Pour éviter tout risque d'électrocution, ne pas enlever le capot. L'appareil ne contient aucun composant réparable par l'utilisateur. Il est exposé à des tensions dangereuses et ne doit être ouvert que par un technicien compétent et qualifié. Pour éviter tout risque d'électrocution, débrancher l'alimentation électrique du produit avant de connecter ou de déconnecter les câbles de réseau local. ⚡ E1



Warning

Do not work on equipment or cables during periods of lightning activity. ⚡ E2



Advertissement

Ne pas travailler sur cet équipement ni sur ses câbles en présence de foudre. ⚡ E2



Warning

Power cord is used as a disconnection device. To de-energize equipment, disconnect the power cord. ⚡ E3

**Warning**

Class I Equipment. This equipment must be earthed. The power plug must be connected to a properly wired earth ground socket outlet. An improperly wired socket outlet could place hazardous voltages on accessible metal parts. ⚡ E4

**Advertissement**

Équipement de classe I. Cet équipement doit être mis à la terre. La prise d'alimentation doit être branchée sur une sortie d'alimentation correctement mise à la terre. Dans le cas contraire, les pièces métalliques accessibles risquent d'être soumises à des tensions dangereuses. ⚡ E4

**Caution**

Air vents must not be blocked and must have free access to the room ambient air for cooling. ⚡ E6

**Attention**

Les orifices de ventilation doivent rester libres de toute obstruction pour pouvoir assurer le refroidissement par l'air de la pièce. ⚡ E6

Note

All Countries: Install product in accordance with local and National Electrical Codes. ⚡ E8

Note

Operating Temperature. This product is designed for a maximum ambient temperature of 50 degrees C. ⚡ E57

**Warning**

An insecurely attached device on a wall may fall and the falling device may lead to damaging itself or causing injuries. ⚡ E96

**Advertissement**

Un dispositif mal fixé sur un mur peut tomber et provoquer sa détérioration ou des blessures. ⚡ E96



Warning

Do not install the device on an unstable wall or a wall affected by vibration or impact. The device may fall and falling device may lead to damaging itself or causing injuries. ⚡ E97



Advertissement

N'installez pas l'appareil sur un mur instable ou endommagé par des vibrations ou des chocs. L'appareil pourrait tomber et l'appareil pourrait s'endommager ou causer des blessures. ⚡ E97



Warning

Do not install the device high on a wall. The device may fall and the falling device may lead to damaging itself or causing injuries. ⚡ E98



Advertissement

N'installez pas l'appareil haut sur un mur. L'appareil peut tomber et l'appareil tomber peut s'endommager ou causer des blessures. ⚡ E98



Warning

Disconnecting the Device: If the device becomes damaged or you encounter abnormality with the device, disconnect the power plug from the AC wall outlet immediately. ⚡ E100



Advertissement

Déconnexion de l'appareil: si l'appareil est endommagé ou si vous constatez une anomalie, débranchez immédiatement le cordon d'alimentation de la prise secteur. ⚡ E100



Warning

Use appropriate screws to attach the device and brackets to a 19-inch rack. If a device is installed insecurely in a rack, it may fall, potentially causing injuries or damage to the device. ⚡ E104



Advertissement

Utilisez des vis appropriées pour fixer le périphérique et les supports à un rack 19 pouces. Si un périphérique est installé de manière non sécurisée dans un rack, il risque de tomber et de causer des blessures ou des dommages à l'appareil. ⚡ E104

Selecting a Site for the Switch

Observe the following requirements when choosing a site for the GS920 Series switch:

- If you plan to install the switch on a table, make sure that the table is level and secured.
- If you plan to install the switch on a wall, make sure that the wall is straight and secured.
- If you plan to install the switch in an equipment rack, make sure that the rack is safely secured to the floor and will not tip over. Devices in a rack should be installed starting at the bottom, with the heavier devices near the bottom of the rack.
- The power outlet for the switch should be located near the unit and should be easily accessible.
- The site should provide for easy access to the ports and the LEDs on the front of the switch should be easily viewed.
- To allow proper cooling off the switch, air flow around the unit and through its vents on the side should not be restricted.
- Do not place objects on top of the switch.
- Do not expose the switch to moisture or water.
- Ensure that the site is a dust-free environment.
- Use dedicated power circuits or power conditioners to supply reliable electrical power to the network devices.

Note

The AT-GS920/8PS must be connect to PoE networks without routing to outside plants.

Planning the Installation

Table 11 contains the cabling specifications for the twisted pair ports.

Table 11. Twisted Pair Cabling and Distances

Speed	Type of Cable	Maximum Operating Distance
10 Mbps	Category 3 or better unshielded twisted pair cable	100 m (328 ft)
100 Mbps	Category 5 or unshielded twisted pair cable	100 m (328 ft)
1000 Mbps	Four-pair Category 5e unshielded twisted pair cable	100 m (328 ft)

Note

The twisted pair ports on the switch feature Auto-MDI when operating at either 10/100 Mbps. Each port is individually configured as MDI or MDI-X when connected to an end-node. Consequently, you can use a straight-through twisted pair cable when connecting any network device to a twisted pair port on the switch. A port operating at 10 or 100 Mbps uses four of the eight strands in twisted pair wiring.

Unpacking the Switch

To unpack a GS920 Series switch, perform the following procedure:

1. Remove all components from the shipping package.

Note





Store the packaging material in a safe location. Allied Telesis recommends that you use the original shipping material to return the unit to Allied Telesis if required.

2. Place the switch on a level, secure surface.
3. Verify that the hardware components are included in your switch package.

AT-GS920/24 Shipping Contents

The contents of the AT-GS920/24 shipping box as shown in Table 12:

Table 12. AT-GS920/24 Shipping Box Contents

Description	Illustration
AT-GS920/24 Switch	
AC Power cord	
Rubber feet (Set of 4)	
Four mounting screws	

Unpacking the AT-GS920/24 Bracket Kit

The AT-GS920/24 also comes with the AT-GS920/24 Bracket Kit. Verify that all hardware components in your Bracket Kit are included as listed in Table 13.

Note

If you plan to install the AT-GS920/24 on a wall or in an equipment rack, use the AT-GS920/24 Bracket Kit provided in the shipping box with the switch.

Note

If you plan to install the AT-GS920/24 on a wall in Japan, you must order an AT-BRKT-J22 optional wall mount kit separately from the switch. If you are installing the AT-GS920/24 in an equipment rack in Japan, use the AT-GS920/24 Bracket Kit provide with the unit.

Table 13. Components in the AT-GS920/24 Bracket Kit

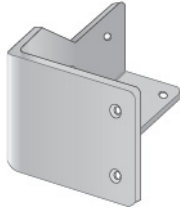
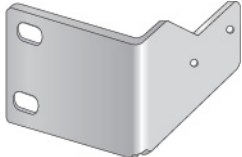



Bracket Description	AT-GS920/24
Bracket for the right side of the switch	
Bracket for the left side of the switch	
Extension	
Four M3x6mm screws for attaching the brackets to the switch	

Table 13. Components in the AT-GS920/24 Bracket Kit (Continued)

Bracket Description	AT-GS920/24
Two M4x6mm screws for attaching the right side bracket and extension	

**AT-GS920/16
Shipping
Contents**

The contents of the AT-GS920/16 shipping box as shown in Table 14:





Note

If you plan to install the AT-GS920/16 on a wall, you must order an AT-BRKT-J23 optional wall mount kit separately from the switch.

Note

If you plan to install the AT-GS920/16 in an equipment rack, you must order an AT-RKMT-J05 optional 19" rack mount kit separately from the switch.

Table 14. AT-GS920/16 Shipping Box Contents

Description	Illustration
AT-GS920/16 Switch	
AC Power cord	
Rubber feet	
Four mounting screws	

AT-GS920/8 Shipping Contents

The contents of the AT-GS920/8 shipping box as shown in Table 16:

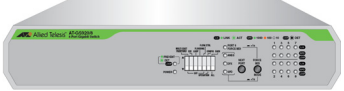



Note

If you plan to install the AT-GS920/8 on a wall, you must order an AT-BRKT-J23 optional wall mount kit separately from the switch.

Note

If you plan to install the AT-GS920/8 in an equipment rack, you must order an AT-RKMT-J08 optional 19" rack mount kit separately from If any item is missing or damaged, contact your Allied Telesis sales representative for assistance.

Table 15. AT-GS920/8 Shipping Box Contents

Description	Illustration
AT-GS920/8 Switch	
AC Power cord	
Rubber feet	
Four mounting screws	

AT-GS920/8PS Shipping Contents

The contents of the AT-GS920/8PS shipping box as shown in Table 16:

Note

To install the AT-GS920/8PS on a wall, you must purchase an AT-BRKT-J24 optional wall mount kit separately.





Note

To install the AT-GS920/8PS in an equipment rack, you must purchase an AT-RKMT-J14 or AT-RKMT-J15 optional 19" rack mount kit separately. For more information, see Table 1 on page 19.

Note

If any item is missing or damaged, contact your Allied Telesis sales representative for assistance.

Table 16. AT-GS920/8PS Shipping Box Contents

Description	Illustration
AT-GS920/8PS Switch	
AC Power cord	
Rubber feet	
Four mounting screws	 <p style="text-align: right;">2047A</p>

Installing the Switch on a Table or Desktop

To install the switch on a table or desktop, perform the following procedure:

1. Remove all the items from the packaging.
2. Store the packaging material in a safe place.

In the event a problem occurs and you need to return the unit, use as much of the original shipping material as possible.

3. Install the four rubber feet with the four screws provided on the bottom of the switch chassis. See Figure 11.

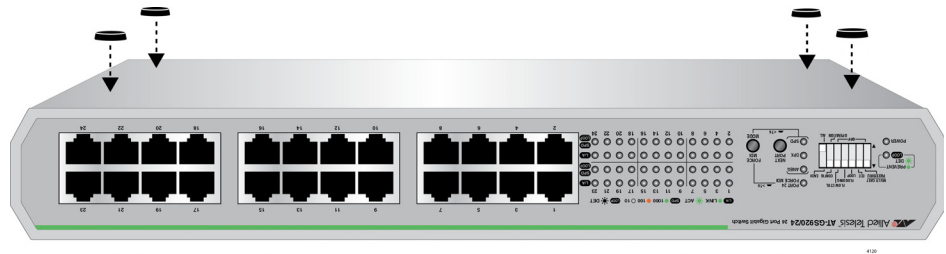


Figure 11. Installation of Rubber Feet

4. Place the switch on a flat and secure surface with the rubber feet firmly on the table or desktop, leaving a minimum of 4" around the switch for ventilation.
5. Proceed to "Cabling the Switch" on page 57 for the cable installation.

Installing the Switch on a Wall

The AT-GS920 switches can be mounted on a wall.

Guidelines for Installing the Switch on a Wall

Before planning to install the switch on a wall, review the following guidelines:

- ❑ To install the AT-GS920/8PS switch, you must purchase the AT-BRKT-J24 wall mount kit.

Note

To install the AT-GS920/8PS switch on a wall, see "Installing the AT-GS920/8PS Switch on a Wall" on page 68.

- ❑ To install the AT-GS920/24 switch, use the brackets included in the shipping box in all locations except in Japan where you must purchase the AT-BRKT-J22 Wall Mount Kit separately.
- ❑ To install the AT-GS920/16 or AT-GS920/8 switch, you must purchase the AT-BRKT-J23 wall mount brackets separately.
- ❑ Any of the AT-GS920 switch models can be mounted on the wall with the front panel facing left, right, up or down.
- ❑ Before you begin to install the switch, review "Reviewing Safety Precautions" on page 32.

Items Need for Wall Installation

You need the following items to install the switch on a wall:

- ❑ A switch
- ❑ One pair of brackets (For more information, see "Guidelines for Installing the Switch on a Wall".)
- ❑ Four screws to attach the brackets to a wall
- ❑ Four plastic anchors for the screws
- ❑ Phillips-head screwdriver
- ❑ Pencil

Note

The screws, plastic anchors, Phillip-head screwdriver and pencil are not included in the shipping box. You must provide these items.

Wall Installation of AT-GS920/24

To install the AT-GS920/24 switch on a wall for all installations everywhere except in Japan, perform the following procedure:

Note

To install the AT-GS920/24 switch on a wall in Japan, see “AT-GS920/24 Switch Wall Mount Installation” on page 101 for the installation instructions using the AT-BRKT-J22 Wall Mount Kit separately.

1. Place all the items from the packaging on a work table.
2. If the rubber feet were previously installed, turn the switch over with the top side down and remove the rubber feet on the bottom of the switch using a Phillips-head screwdriver.

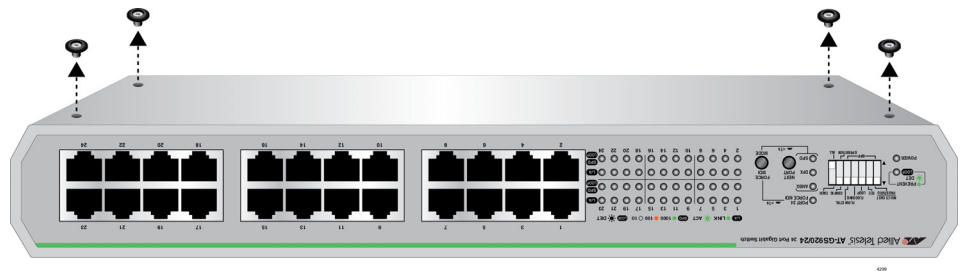


Figure 12. Removing Feet From the Chassis Bottom

3. Turn the switch over with the top side up.
4. Orient the brackets against the sides of the switch and secure them to the switch with the four screws provided as shown in Figure 13.

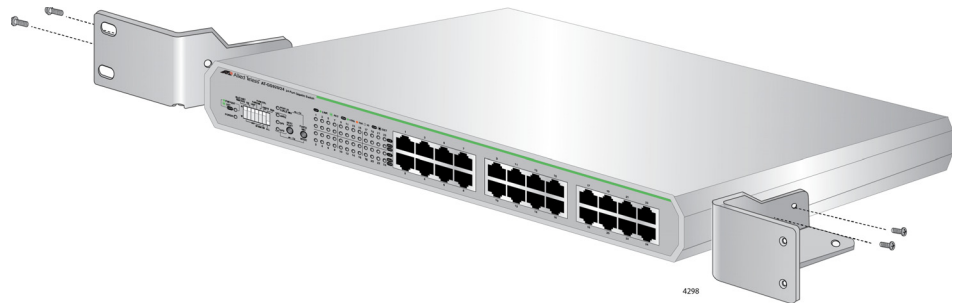


Figure 13. Attaching the Brackets to the AT-GS920/24 Switch

5. Have another person hold the switch with the brackets at the wall location where the switch is to be installed, while you use a pencil to mark the wall with the locations of the four holes in the brackets. See Figure 14 as an example.

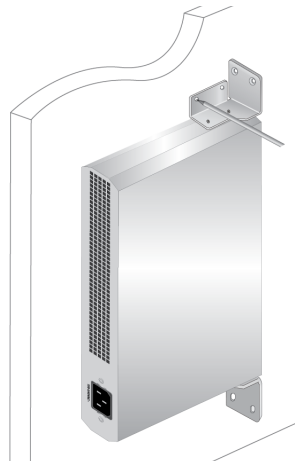


Figure 14. Marking the Screw Hole Locations

Note

Figure 14 shows the front panel oriented toward the right side. However, the switch can be mounted on the wall with the front panel facing left, right, up or down.

6. Pre-drill the marked locations on the wall.
7. Install the four plastic anchors into the wall in the holes drilled in previous step.
8. Position the switch on the wall and drive screws through the holes to attach the brackets on the wall. See Figure 15.

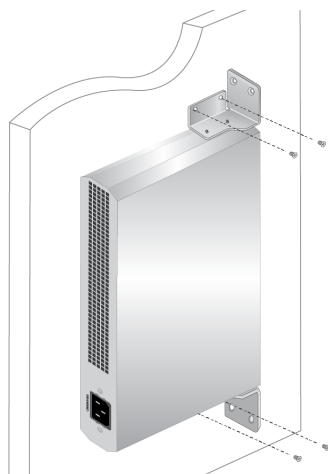


Figure 15. Driving the Screws through the Holes

9. Make sure that the two brackets are installed securely.
10. Proceed to “Cabling the Switch” on page 57.

Wall Installation of AT-GS920/16 or AT-GS920/8

This section explains the procedure for the installation either a AT-GS910/16 switch or a AT-GS910/8 switch on a wall using the AT-BRKT-J23 wall mount kit.

Note

You must purchase the AT-BRKT-J23 wall mount brackets separately.

Unpacking the AT-BRKT-J23 Wall Mount Kit

To unpack the AT-BRKT-J23 wall mount kit, perform the following procedure:

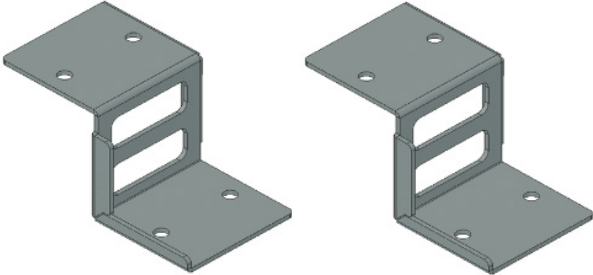
1. Remove all components from the shipping package.

Note

Store the packaging material in a safe location. You must use the original shipping material if you need to return the unit to Allied Telesis.

2. Verify that one pair of brackets is included in your wall mount package listed in Table 13.

Table 17. Components in the AT-BRKT-J23 Wall Mount Kit

	Components
One pair of brackets	

3. If any item is missing or damaged, contact your Allied Telesis sales representative for assistance.

Installing a Switch Using the AT-BRKT-J23 Wall Mount Kit

This section shows you steps to install a switch on a wall using the AT-BRKT-J23 kit. To install the switch on a wall, perform the following procedure:

1. If the rubber feet were previously installed, turn the switch upside down and remove them as shown in Figure 16.

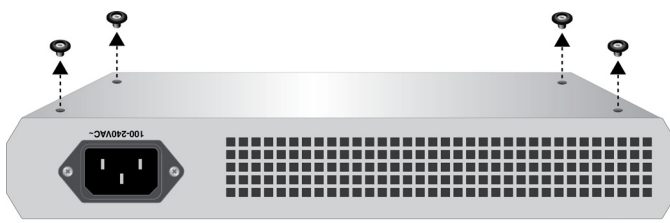


Figure 16. Removing the Rubber Feet

2. Orient the brackets against the sides of the switch.
3. Have another person hold the switch with the brackets at the wall location where the switch is to be installed, while you use a pencil to mark the wall with the locations of the four holes in the brackets. See Figure 17 as an example.

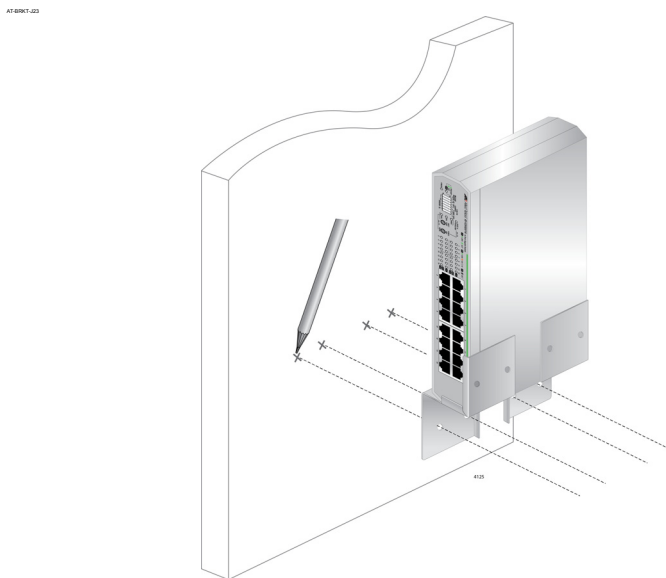


Figure 17. Marking the Screw Hole Locations

Note

Figure 17 shows the front panel oriented toward the left side. However, the switch can be mounted on the wall with the front panel facing left, right, up or down.

4. Pre-drill the marked locations on the wall at the locations marked in Step 3.
5. Install four plastic anchors into the wall in the holes drilled in Step 4.
6. Position brackets on the wall and drive screws through the holes to attach the brackets on the wall. See Figure 18.

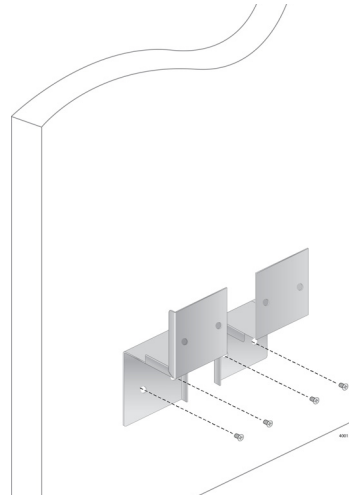


Figure 18. Driving the Screws through the Holes

7. Make sure that the two brackets are installed securely.
8. Slide the switch into the brackets on the wall as shown in Figure 19.

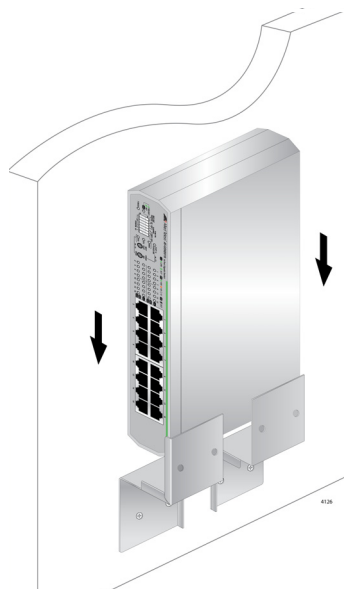


Figure 19. Placing the Switch into the Brackets

9. Proceed to “Cabling the Switch” on page 57.

Installing the Switch in an Equipment Rack

The AT-GS920 switches can be mounted on a 19-inch equipment rack.

Guidelines for Installing the Switch in a Rack

Before installing the switch on an equipment rack, review the following guidelines:

- ❑ To install the AT-GS920/8PS switch, you must purchase the AT-RKMT-J14 or AT-RKMT-J15 wall mount kit.

Note

To install the AT-GS920/8PS switch on a wall, see "Installing the AT-GS920/8PS Switch in an Equipment Rack" on page 63.

- ❑ To install the AT-GS920/24 switch, use the brackets included in the shipping box.
- ❑ To install the AT-GS920/16 or AT-GS910/8 switch, you must purchase the rack mount brackets separately. The AT-RKMT-J05 Rack Mount Kit is for the AT-GS920/16 switch and the AT-RKMT-J08 Rack Mount Kit is for the AT-GS920/8.
- ❑ Before you begin to install the switch, review "Reviewing Safety Precautions" on page 32

What to Prepare for Installation in a Rack

You need the following items to install the switch in an equipment rack:

- ❑ A switch
- ❑ One pair of brackets (For more information, see "Guidelines for Installing the Switch on a Wall" above.)
- ❑ 19-inch equipment rack (not provided)
- ❑ Four screws for the equipment rack (not provided)
- ❑ Phillips-head screwdriver (not provided)

Rack Installation of AT-GS920/24

To install the AT-GS920/24 switch in an equipment rack, perform the following procedure:

1. Place all the items from the packaging on a work table.
2. Attach the extension to the bracket with the M4x6mm screws using a Phillips-head screw driver as shown in See Figure 20.

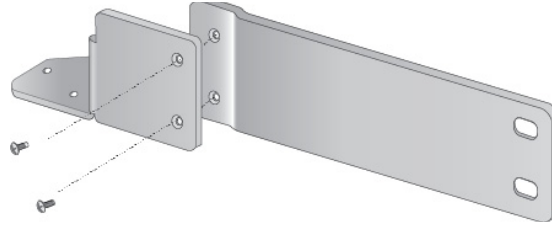


Figure 20. Attaching the Extension to the Bracket

3. If the rubber feet were previously installed, turn the switch upside down and place it on a table. Remove the rubber feet from the bottom of the switch using a Phillips-head screwdriver.

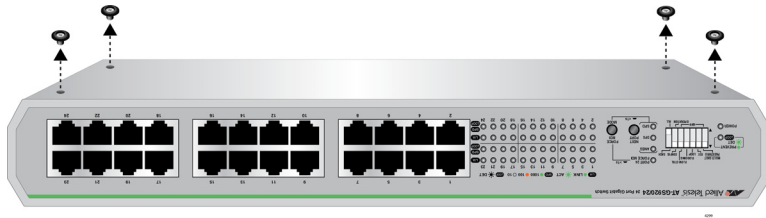


Figure 21. Removing Rubber Feet

4. Turn the switch over.
5. Attached the brackets to the switch with the M3x6mm screws using a Phillips-head screwdriver. See Figure 22.



Figure 22. Attaching the Brackets to the Switch

6. Mount the switch in a standard 19-inch equipment rack with four equipment rack screws as shown in Figure 23.

Note

The screws for an equipment rack are not included in the shipping box.



Figure 23. Attaching the Switch to an Equipment Rack

7. Proceed to “Cabling the Switch” on page 57.

Rack Installation of AT-GS920/16 or AT-GS920/8

To install the AT-GS920/16 or AT-GS920/8 switch in an equipment rack using the AT-RKMT-J05 or AT-RKMT-J08 rack mount kit respectively, perform the following procedures:

Note

You must purchase the AT-RKMT-J05 or AT-RKMT-J08 rack mount kit separately.

Unpacking the AT-RKMT-J05 or AT-RKMT-J08 Rack Mount Kit

To unpack the AT-RKMT-J05 or AT-RKMT-J08 rack mount kit, perform the following procedure:

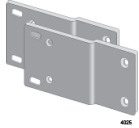

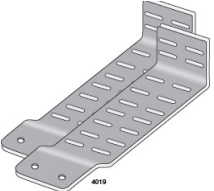
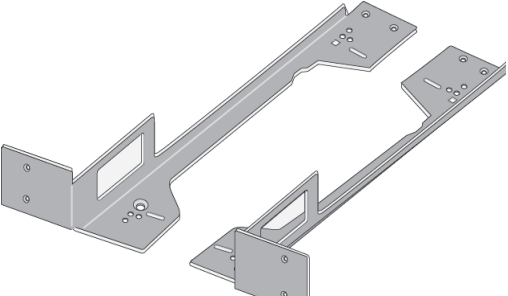
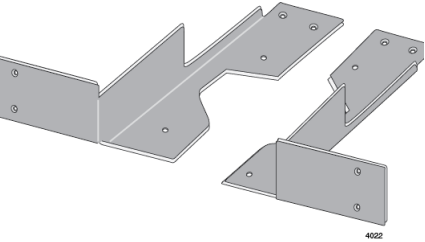


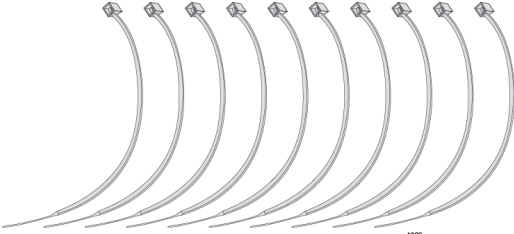
1. Remove all components from the shipping package.

Note

Store the packaging material in a safe location. You must use the original shipping material if you need to return the unit to Allied Telesis.

2. Verify that all hardware components are included in your rack mount package listed in Table 13 on page 39.

Table 18. Components in Rack Mount Kit

	Rack Mount Kit	
	AT-RKMT-J05	AT-RKMT-J08
Two Short Brackets		
Two Handles		
Two Cable Brackets		
Two Long Brackets		
Eight M3x6mm screws		
Eight M4x6mm screws		
Ten Tie-wrap		

- If any item is missing or damaged, contact your Allied Telesis sales representative for assistance.

Install a AT-GS920/16 or AT-GS920/8 Switch Using the AT-RKMT-J05 or AT-RKMT-J08 Rack Mount Kit

This section gives the steps to install a switch in an equipment rack using the AT-RKMT-J05 or AT-RKMT-J08 kit.:

Note

The installation procedures are illustrated using the AT-RKMT-J05 rack mount kit as an example.

1. Place all the items from the packaging on a work table.
2. Remove the rubber feet if previously installed.
3. Attach the handle to the short bracket with M3x6mm screws using a Phillip-head screw driver as shown in Figure 24.

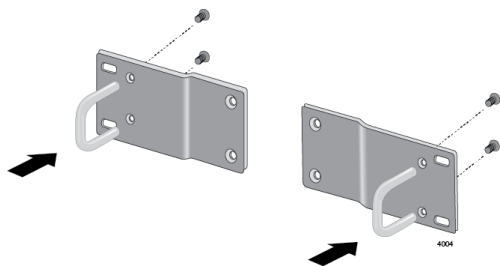


Figure 24. Attaching Handles to Brackets

4. Attach the short bracket and handle to the long bracket with M4x6mm screws using a Phillip-head screw driver as shown in Figure 25.

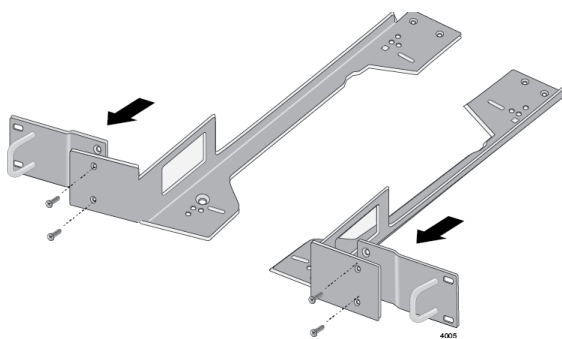


Figure 25. Attaching Brackets to Plates

5. Attach the cable bracket to the unit that you assembled in Step 4 with M4x6mm screws using a Phillip-head screw driver as shown in Figure 26.

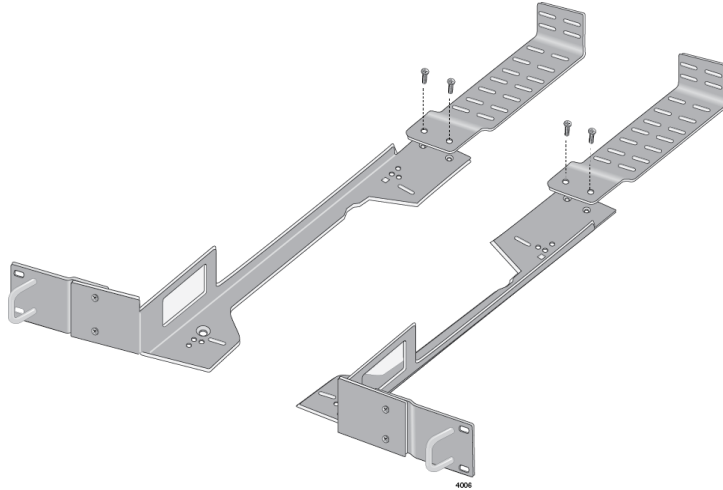


Figure 26. Attaching Cable Tray to Plates

6. Turn the switch over and place it on the work table.
7. Attach the units in Step 5 to the switch with M3x6mm screws using a Phillip-head screw driver as shown in Figure 27.

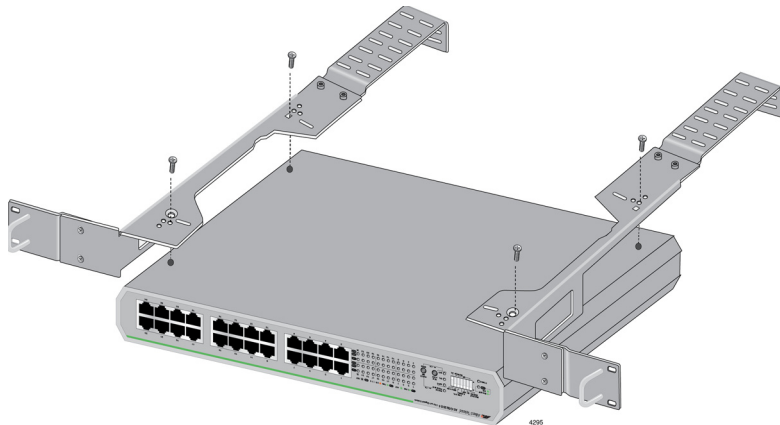


Figure 27. Attaching the Plates to the Switch

8. Mount the switch in a standard 19-inch equipment rack with four equipment rack screws as shown in Figure 28 on page 56.

Note

The screws are not included in the AT-RKMT-J05 rack mount kit.

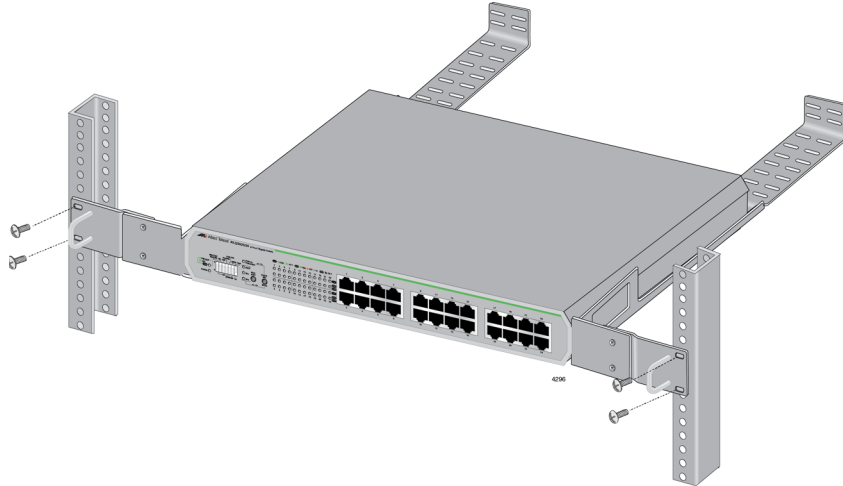


Figure 28. Attaching the Switch to Equipment Rack

9. Attach the power cord to the back panel of the switch.
10. Proceed to “Cabling the Switch” on page 57.

Cabling the Switch

After installing the switch on the desktop, connect twisted pair cables to the ports on the GS920 Series switch.

When connecting a twisted pair cable to a port, observe the following guidelines:

- An RJ-45 connector should fit snugly into the port on the switch. The tab on the connector should lock the connector into place.
- The ports on the switch are configured for auto-MDI/MDI-X out of the shipping box. You can use a straight-through twisted pair cable to connect any type of network device to a port on the switch.
- The network should not contain data loops, which can adversely affect network performance. A data loop exists when two or more network devices can communicate with each other over more than one data path.

Powering On the Switch

To power on the switch, perform the following procedure:

1. Plug the power cord into the power connector on the back of the switch.
2. Plug the other end of the power cord into a wall outlet.



Warning

Power cord is used as a disconnection device. To de-energize equipment, disconnect the power cord. ⚡ E3



Advertissement

Le cordon d'alimentation est utilisé en tant que mécanisme de déconnexion. Pour mettre l'équipement hors tension, débrancher le cordon d'alimentation. ⚡ E3

Note

Pluggable Equipment. The socket outlet shall be installed near the equipment and shall be easily accessible. ⚡ E5

3. The switch LEDs display an initial Power-ON sequence. See Figure 29.

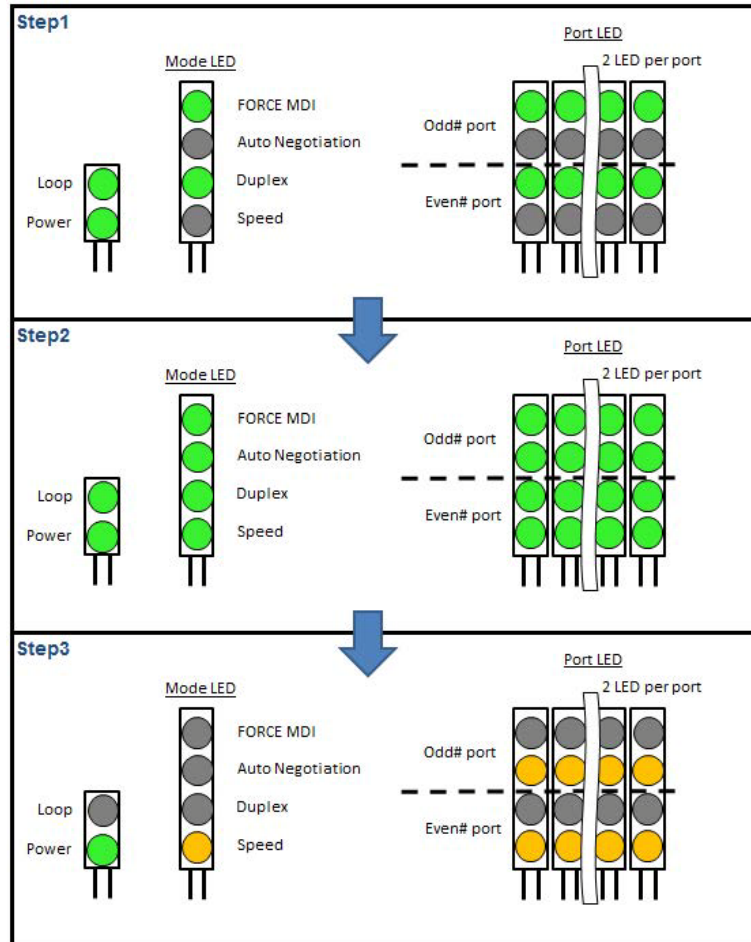


Figure 29. Initial Power-ON Sequence

4. After the Power-ON sequence completes, verify that the POWER LED is green. If the LED is OFF, see “Troubleshooting” on page 93.

The switch is now powered on and ready for network operations.



Warning

Disconnecting the Device: If the device becomes damaged or you encounter abnormality with the device, disconnect the power plug from the AC wall outlet immediately. ⚡ E100



Advertissement

Déconnexion de l'appareil: si l'appareil est endommagé ou si vous constatez une anomalie, débranchez immédiatement le cordon d'alimentation de la prise secteur. ⚡ E100

5. If the switch is installed in a rack, use the tie-warps provided to secure the power cord, as shown in Figure 30.

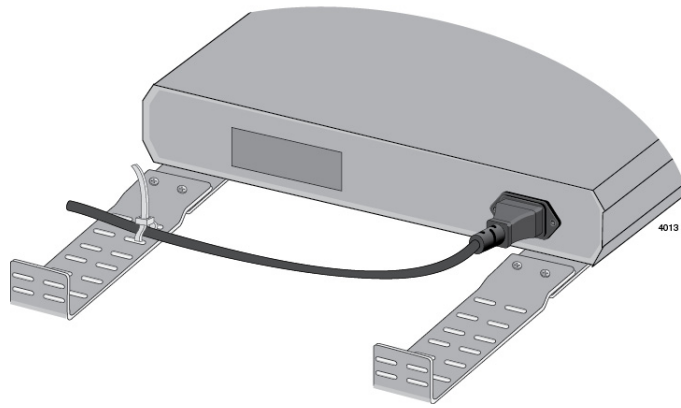


Figure 30. Securing the Power Cord Using Tie-wraps

Chapter 3

Installing the AT-GS920/8PS Switch

The procedures in this chapter are:

- “Installing the AT-GS920/8PS Switch on a Table” on page 62
- “Installing the AT-GS920/8PS Switch in an Equipment Rack” on page 63
- “Installing the AT-GS920/8PS Switch on a Wall” on page 68

Installing the AT-GS920/8PS Switch on a Table

This section contains the procedure for installing the AT-GS920/8PS switch on a table or desk.

Note

The rubber feet on the bottom of the chassis should be left on for table installation.



Warning

Switches should not be stacked on top of one another on a table or desktop because that could present a personal safety hazard if you need to move or replace switches. ⚡ E76



Advertissement

Les commutateurs ne doivent pas être empilés les uns sur les autres sur une table ou un bureau car cela pourrait présenter un risque pour la sécurité personnelle si vous devez déplacer ou remplacer les commutateurs. ⚡ E76



Warning

Suitable for installation in Information Technology Rooms in accordance with Article 645 of the National Electrical Code and NFPA 75.



Advertissement

Peut être installé dans des salles de matériel de traitement de l'information conformément à l'article 645 du National Electrical Code et à la NFPA 75.

To install the chassis on a table, perform the following procedure:

1. Review “Selecting a Site for the Switch” on page 36 to verify the suitability of the site for the switch.
2. Check to be sure that the table is strong enough to support the weight of the switch.
3. Place the switch onto the table.

Installing the AT-GS920/8PS Switch in an Equipment Rack

You can install one AT-GS920/8PS switch in a row of the equipment rack or two AT-GS920/8PS switches in one row of the equipment rack as shown in Figure 31.

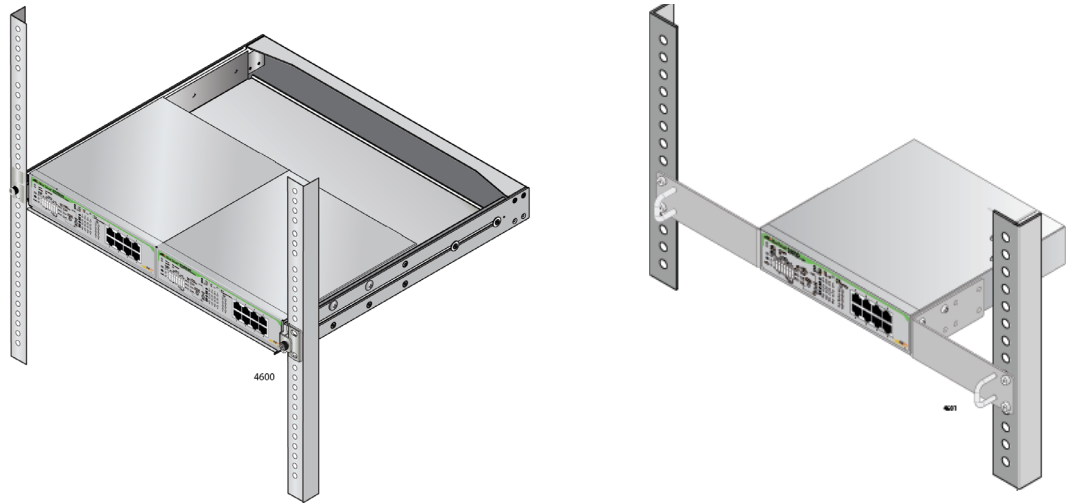


Figure 31. Rack Installation Options for the AT-GS920/8PS Switch

Installing Two Switches in One Row

To install two switches in one row of the equipment rack, you need the following items:

- AT-RKMT-J15 rack mount kit
- Cross-head screwdriver

To install two switches in one row of the equipment rack, perform the following procedures.

1. Review “Selecting a Site for the Switch” on page 36 to verify the suitability of the site for the switch.
2. Mount the AT-RKMT_J15 tray in a 19 -inch equipment rack using four equipment rack screws. See Figure 32 on page 64.

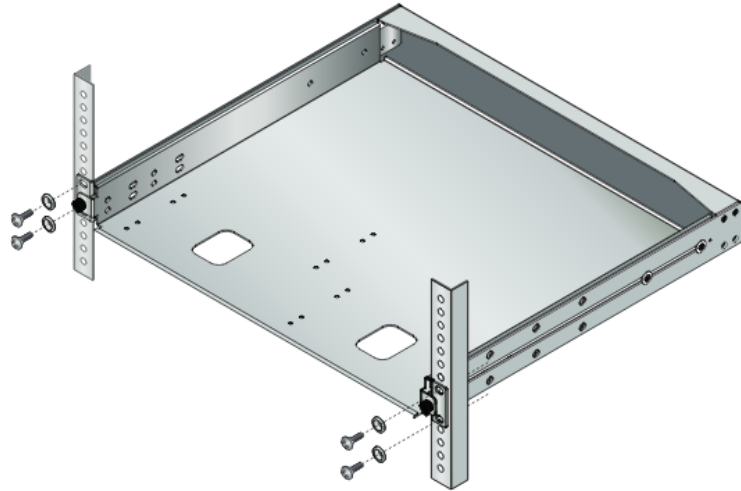


Figure 32. Installing the AT-RKMT-J15 Tray in a n Equipment Rack

3. Turning the tray fixing screws on counterclockwise and pull out the tray.
You can draw the tray to a maximum of 250mm from the tray chassis.

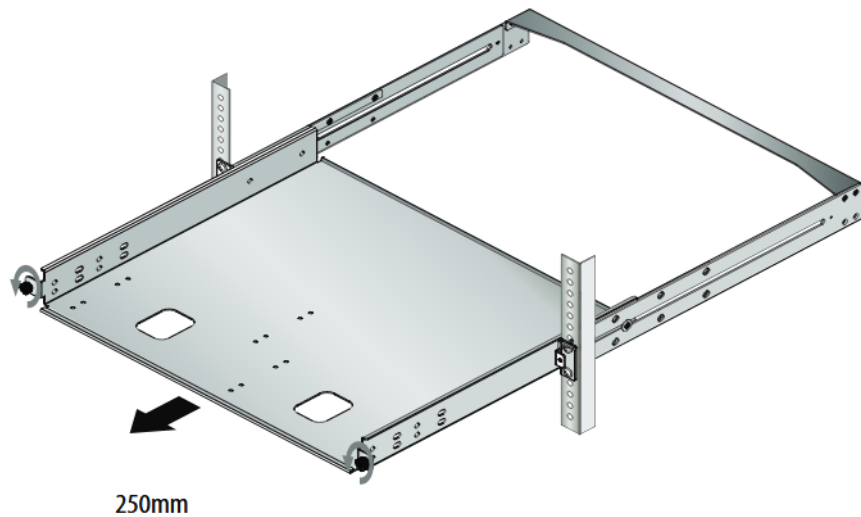


Figure 33. Puling out the AT-RKMT-J15 Tray

4. Place a switch in the tray and secure the switch to the tray with the head screws through the holes on the slide rail weld.

Note

You can install two AT-GS920/8PS switches. Install one switch at a time.

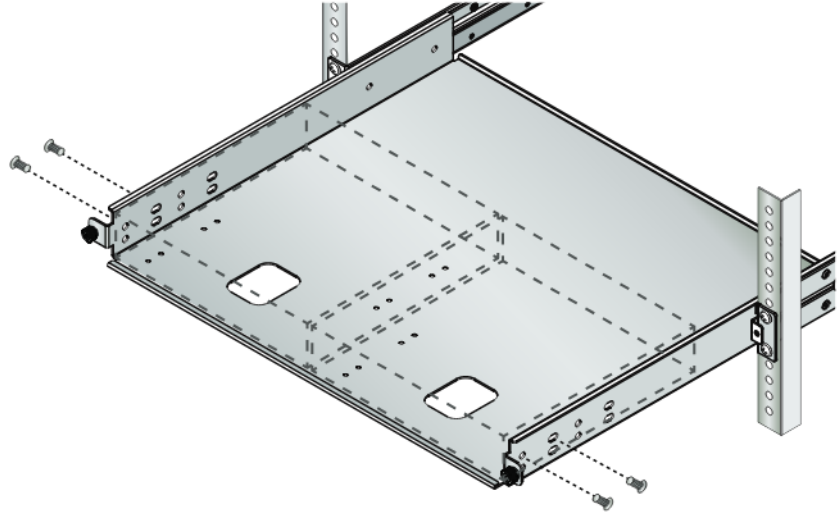


Figure 34. Placing the AT-GS920/8PS Switch in the AT-RKMT-J15 Tray

5. Slide the tray back to its original position and turning the tray fixing screws on clockwise.

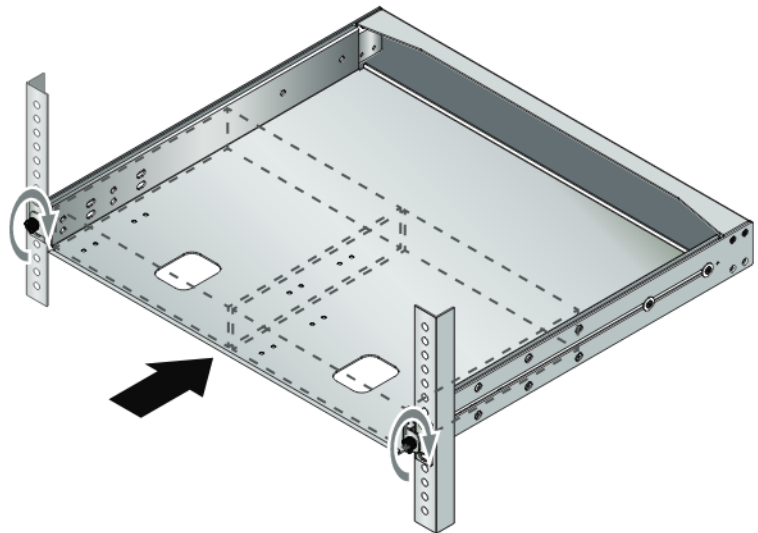


Figure 35. Securing the AT-RKMT-J15 Tray in a n Equipment Rack

Installing a Switch in One Row

To install the switch in one row of the equipment rack, you need the following items:

- AT-RKMT-J14 Rack mount bracket kit
- Flat-head screwdriver
- Cross-head screwdriver

Note

You must provide flat-head and cross-head screwdrivers.

To install the switch in one row of the equipment rack, perform the following procedures.



Caution

The chassis may be heavy and awkward to lift. Allied Telesis recommends that you get assistance when mounting the chassis in an equipment rack. ⚠ E28



Attention

Le châssis peut être lourd et difficile à soulever. Allied Telesis recommande de demander de l'assistance lors de l'installation d'un châssis dans un rack. ⚠ E28

1. Review “Selecting a Site for the Switch” on page 36 to verify the suitability of the site for the switch.
2. Attach the handles to the brackets as shown in Figure 36.

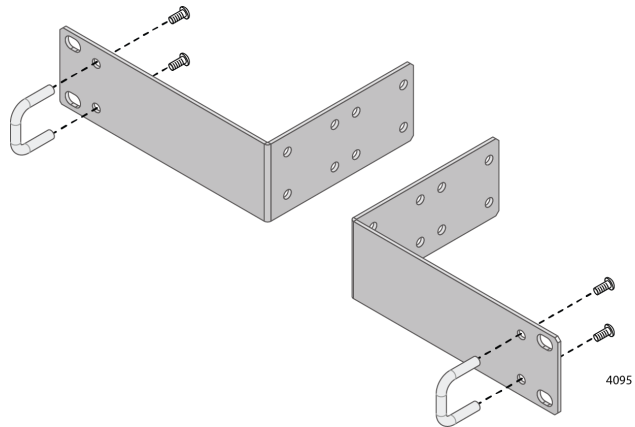


Figure 36. Attaching the Handles to the Brackets

3. Attach the two rack mount brackets to the sides of the switch with the eight bracket screws as shown in Figure 37.

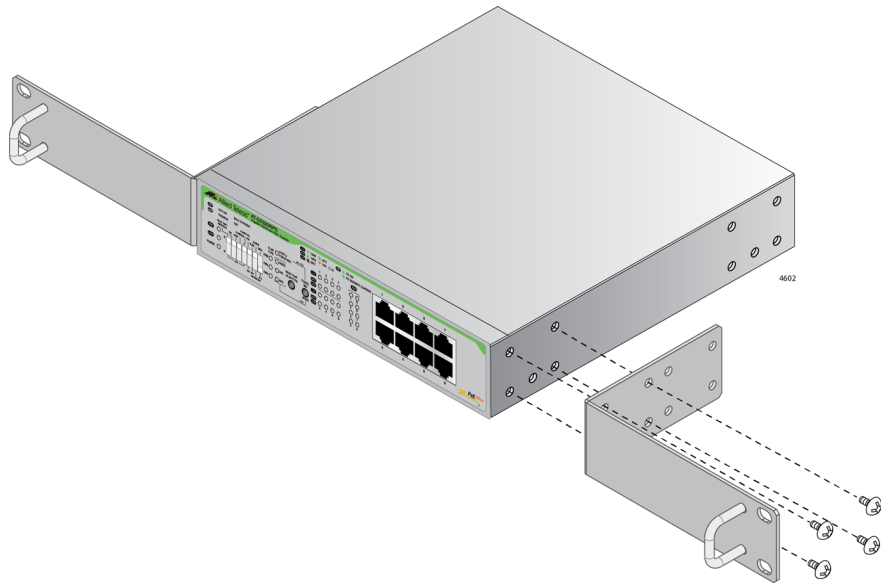


Figure 37. Installing the Brackets on the Switch

4. While another person holds the switch in the equipment rack, secure it with standard equipment rack screws as shown in Figure 38.

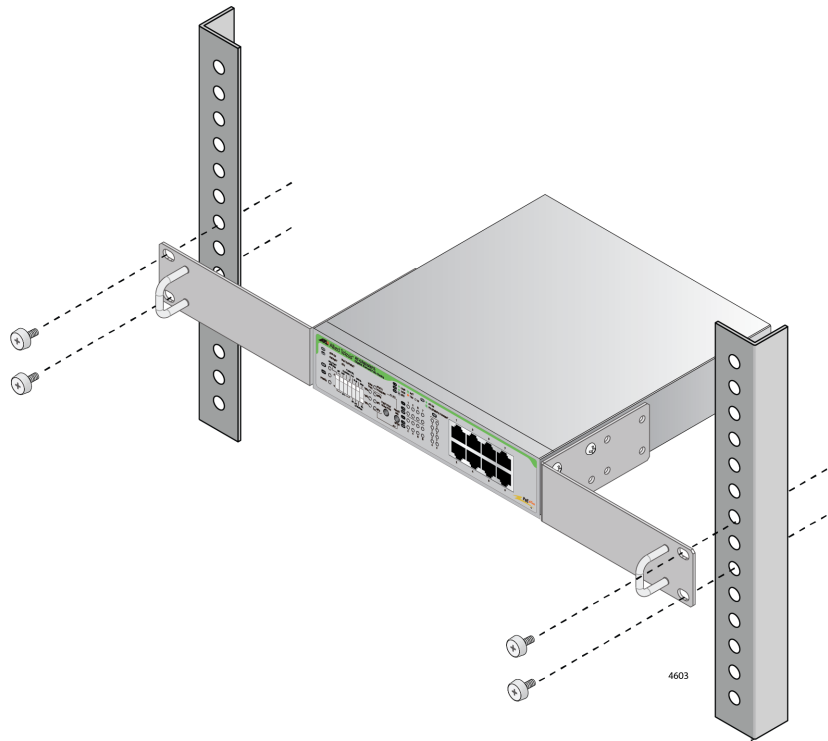


Figure 38. Mounting the Switch in an Equipment Rack

Installing the AT-GS920/8PS Switch on a Wall

The AT-GS920/8PS switch can be mounted on a wall

Guidelines

Before installing the AT-GS920/8PS switch on a wall, review the following guidelines:

- ❑ If protective earthing is used as a safeguard, the instructions shall require connection of the equipment protective earthing conductor to the installation protective earthing conductor. For example, a power cord is connected to a socket-outlet with earthing connection.

Si la mise à la terre de protection est utilisée comme protection, les instructions doivent exiger le raccordement du conducteur de protection de l'équipement au conducteur de protection de l'installation. Par exemple, un cordon d'alimentation est connecté à une prise de courant avec mise à la terre.

- ❑ The AT-GS920/8PS switch must be mounted on the wall in one of the four orientations as shown in Figure 39.

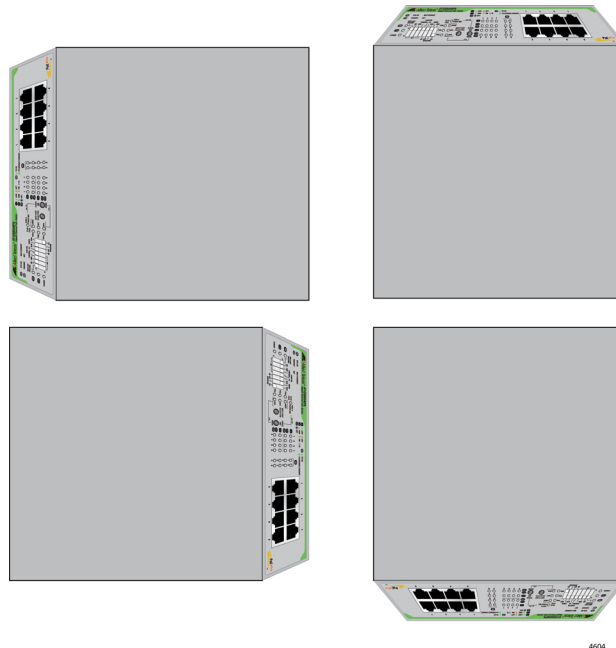


Figure 39. Orientations of the AT-GS920/8PS Switch on a Wall

What to Prepare for Wall Installation

You need the following items to install the switch on a wall:

- ❑ Four AT-BRKT-J24 brackets
- ❑ 16 M4mm x 6mm screws to attach the brackets to the switch (included in the AT-BRKT-J24 bracket kit)
- ❑ Eight 4mm x 32mm wood screws to attach the unit to a wall (not included)
- ❑ Cross-head screwdriver
- ❑ Pencil
- ❑ Drill

Note

You must provide screws to attach the brackets to the switch, a cross-head screwdriver, a pencil, and a drill.

Installing the Switch on a Wall

To install the AT-GS920/8PS switch on a wall, perform the following procedure:

1. Review “Selecting a Site for the Switch” on page 36 before performing this procedure.
2. Attach each bracket to the switch using four screws as shown in Figure 40.

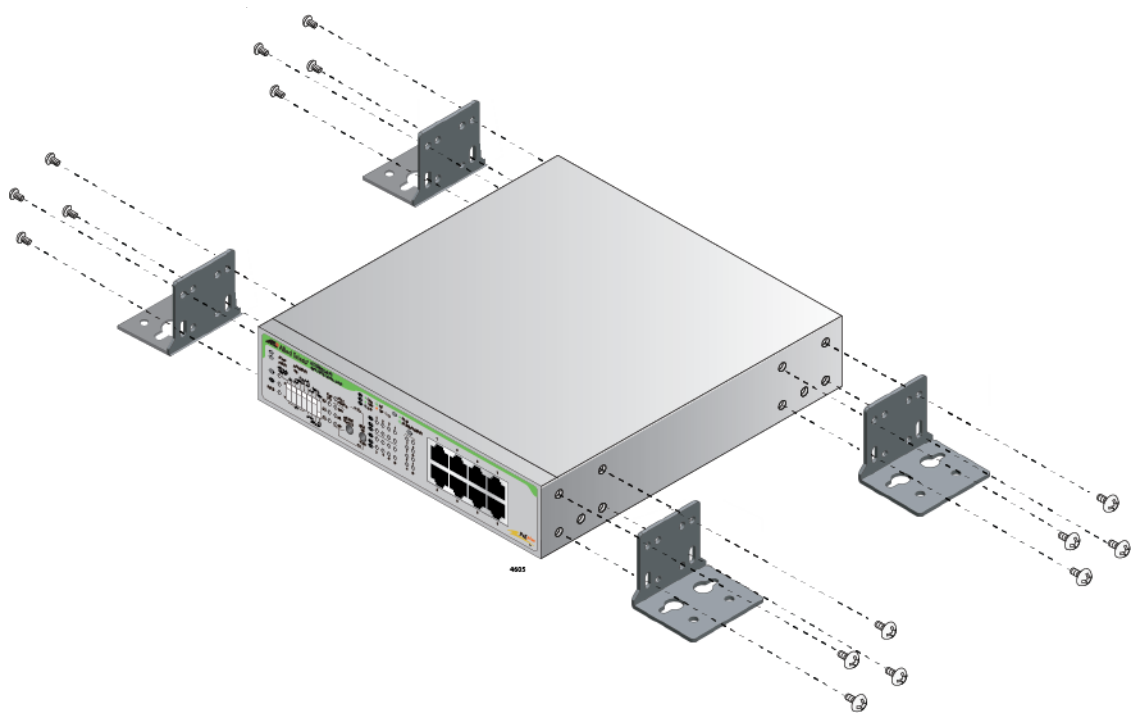


Figure 40. Attaching the Wall Brackets

3. While another person holds the switch at the wall location, mark the holes with a pencil.
4. Pre-drill the marked holes.
5. While another person holds the switch at the wall location, secure the switch to the wall using the eight wall mounting screws. See Figure 41.

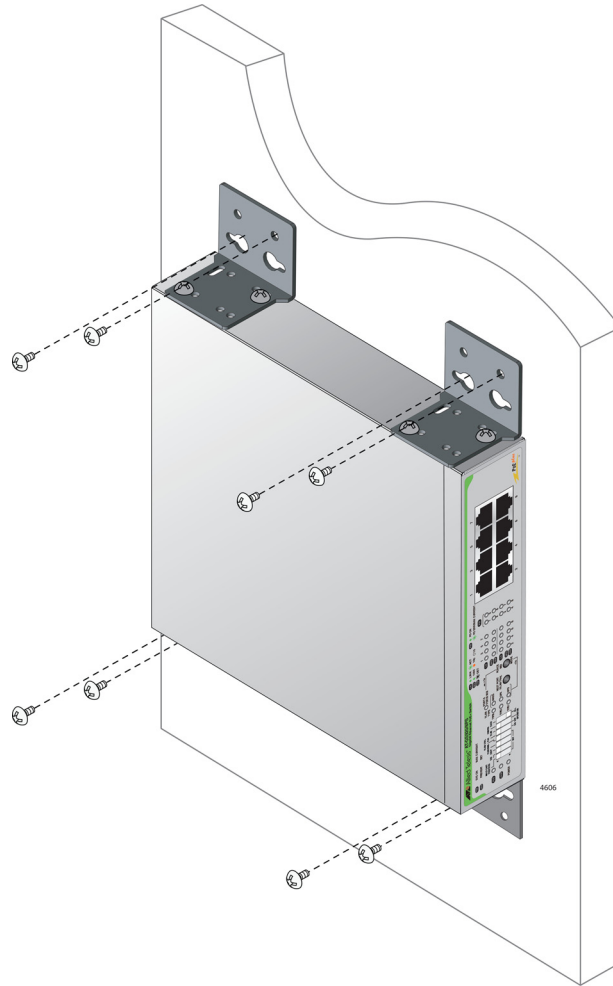


Figure 41. Installing the Switch on the Wall

Chapter 4

Switch Configuration

This chapter includes the following topics:

- “Configuration Switch and LED Locations” on page 72
- “Resetting Ports to Default Settings” on page 90
- “Feature Configuration”
 - “Multicast Frame Pass-Through” on page 73
 - “Energy Efficiency Ethernet (EEE)” on page 76
 - “Loop Prevention” on page 78
 - “Flooding” on page 80
 - “Flow Control” on page 82
- “Ethernet Port Configuration”
 - “Force MDI/ MDI-X and Auto MDI/MDI-X” on page 84
 - “Configuring All Ports with the Same Speed and Duplex Settings” on page 85
 - “Configuring an Individual Port with Speed and Duplex” on page 87
 - “Configuring All Ports with Auto or Force MDI/MDI-X” on page 88
 - “Configuring an Individual Port with Auto or Force MDI/ MDI-X” on page 89
 - “Resetting Ports to Default Settings” on page 90

Configuration Switch and LED Locations

The GS920 Series switch is configured with the DIP switches and push buttons shown in Figure 42, "Front Panel Configuration Switches and LEDs".

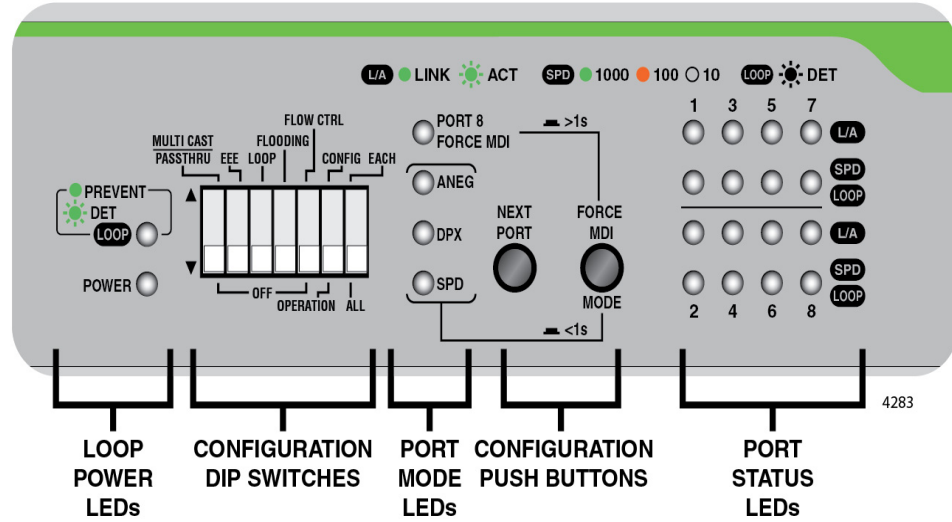


Figure 42. Front Panel Configuration Switches and LEDs

Feature Configuration

The following features can be configured with the individual DIP switches:

- "Multicast Frame Pass-Through"
- "Energy Efficiency Ethernet (EEE)" on page 76
- "Loop Prevention" on page 78
- "Flooding" on page 80
- "Flow Control" on page 82

These features can be set on all ports on the switch or on individual ports.

Multicast Frame Pass-Through

DIP switch # 1 enables or disables the Multicast Frame Pass-Through feature. See Figure 42, "Front Panel Configuration Switches and LEDs" on page 72 for the DIP switch location on the front panel.

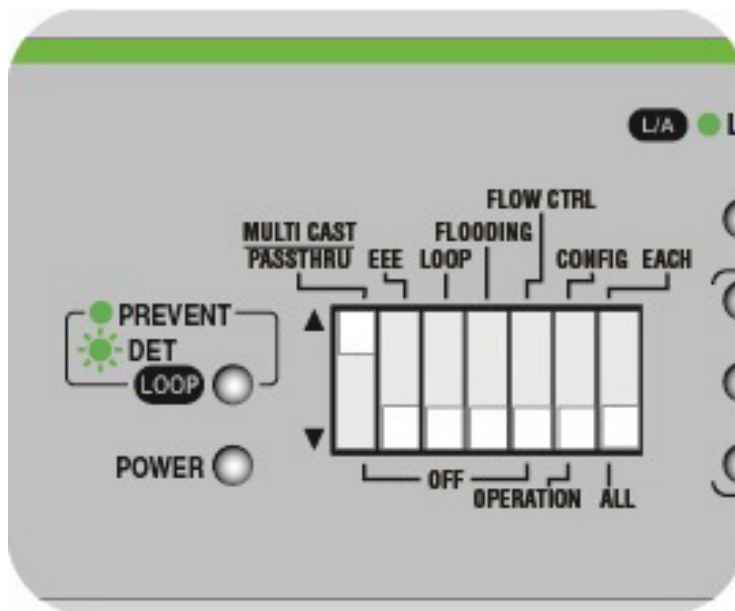
Note

The Flooding feature has priority over Multicast Frame Pass-Through feature when both are enabled. If you prefer to have the Multicast Frame Pass-Through feature enabled, the Allied Telesis recommends that you disable the Flooding feature. See "Disabling Flooding" on page 81 for more information.

Enabling Multicast Frame Pass-Through

Perform the following procedure to enable the Multicast Frame Pass-Through feature:

1. Set DIP switch # 1 to the UP position to enable this feature. See Figure 43 on page 74.



4285

Figure 43. DIP Switch Setting for Enabling Multicast Frame Pass-Through

2. Turn the power OFF by unplugging the AC power cord and then back ON again by reconnecting it to the AC outlet on the switch. The new switch setting is now implemented and effective and the Multicast Frame Pass-Through feature is enabled.

Note

A recently changed DIP switch setting becomes effective ONLY after you turn the switch's AC power OFF and then back ON.

In this configuration, other packet types such as EAP, BPDU and others are allowed to pass through the switch. The following multicast addresses are filtered out and are NOT allowed to pass through the switch:

- 01-80-C2-00-00-01
- 01-80-C2-00-00-02

Disabling Multicast Frame Pass-Through

Perform the following procedure to disable the Multicast Frame Pass-Through feature:

1. Set DIP switch # 1 to the DOWN position to disable this feature. See Figure 44.

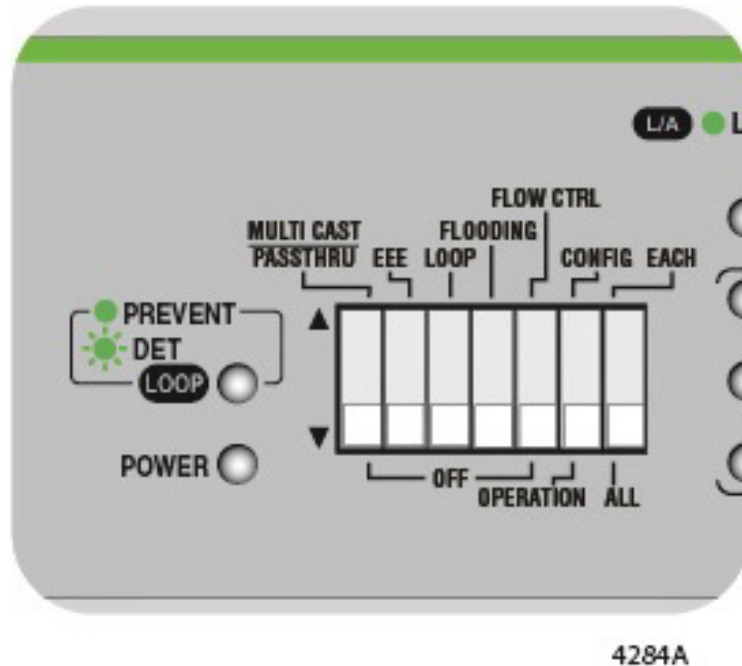


Figure 44. DIP Switch Settings for Disabling Multicast Frame Pass-Through

2. Turn the power OFF by unplugging the AC power cord and then back ON again by reconnecting it to the AC outlet on the switch. The new switch setting is now implemented and effective and the Multicast Frame Pass-Through is disabled.

Note

A recently changed DIP switch setting becomes effective ONLY after you turn the switch's AC power OFF and then back ON.

Note

When this feature is disabled, the following multicast addresses are filtered out and are NOT allowed to pass through the switch:

01-80-C2-00-00-00
 01-80-C2-00-00-01
 01-80-C2-00-00-02
 01-80-C2-00-00-03
 01-80-C2-00-00-10
 01-80-C2-00-00-20
 01-80-C2-00-00-21

Energy Efficiency Ethernet (EEE)

DIP switch # 2 enables or disables the EEE feature. See Figure 42, “Front Panel Configuration Switches and LEDs” on page 72 for the DIP switch location on the front panel.

Enabling EEE

Perform the following procedure to enable the EEE feature:

1. Set DIP switch # 2 to the UP position to enable this feature. See Figure 45.

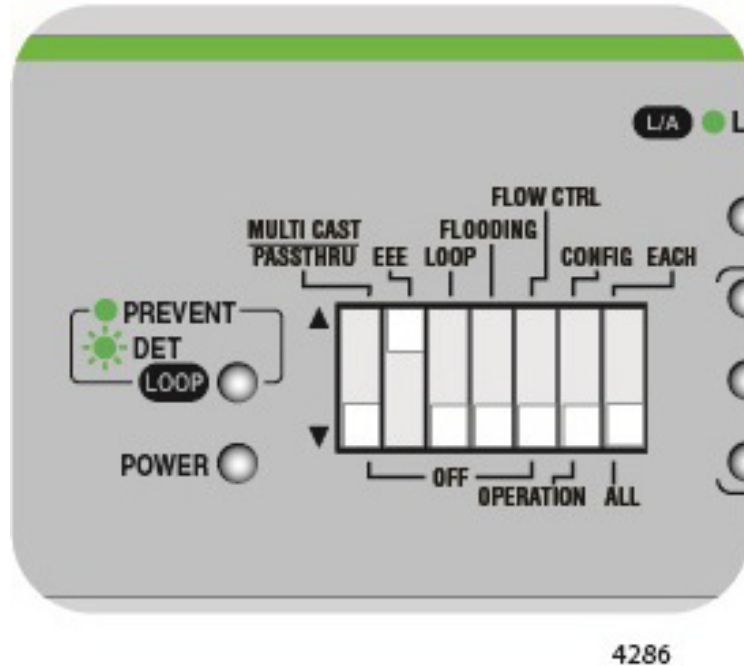


Figure 45. DIP Switch Settings for Enabling EEE

2. Turn the power OFF by unplugging the AC power cord and then back ON again by reconnecting it to the AC outlet on the switch. The new switch setting is now implemented and effective and the EEE energy saving behavior is now enabled for all the Ethernet ports.

Note

A recently changed DIP switch setting becomes effective ONLY after you turn the switch's AC power OFF and then back ON.

EEE is supported only at 100M/1000M link speed with Auto-Negotiation enabled. For supported and unsupported speed/link port configurations, see Table 19, “EEE Support for Port Speed/Link Configuration” on page 77.

Table 19. EEE Support for Port Speed/Link Configuration

Supported Speed/Link	Unsupported Speed/Link
1000M Auto-Negotiation 100M Auto-Negotiation	100M Full Duplex 100M Half Duplex 10M Full Duplex 10M Half Duplex

Disabling EEE

Perform the following procedure to disable the EEE feature:

1. Set DIP switch # 2 to the DOWN position to disable this feature. See Figure 46.

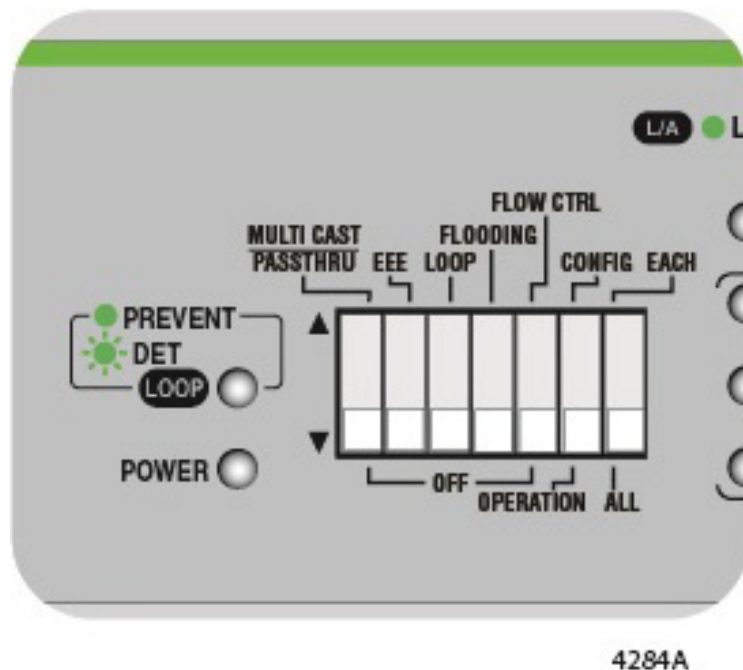


Figure 46. DIP Switch Settings for Disabling EEE

2. Turn the power OFF by unplugging the AC power cord and then back ON again by reconnecting it to the AC outlet on the switch. The new configuration is now implemented and effective and the EEE feature is disabled.

Note

A recently changed DIP switch setting becomes effective ONLY after you turn the switch's AC power OFF and then back ON.

Loop Prevention

DIP switch # 3 enables or disables the Loop Prevention feature. See Figure 42, "Front Panel Configuration Switches and LEDs" on page 72 for the DIP switch location on the front panel.

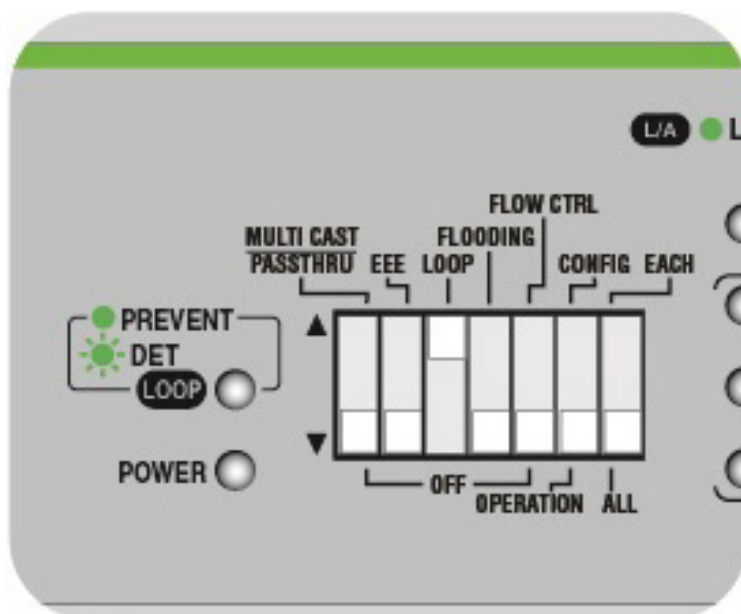
Enabling Loop Prevention

Perform the following procedure to enable the Loop Prevention feature:

Note

Flow Control must be disabled by when the Loop Prevention feature is enabled. See "Disabling Flow Control" on page 83

1. Set DIP switch # 3 to the UP position to enable Loop Prevention. See Figure 47.



4287

Figure 47. DIP Switch Settings for Enabling Loop Prevention

2. Turn the power OFF by unplugging the AC power cord and then back ON again by reconnecting it to the AC outlet on the switch. The new switch setting is now implemented and effective and the Loop Prevention feature is enabled for all the Ethernet ports.

Note

A recently changed DIP switch setting becomes effective ONLY after you turn the switch's AC power OFF and then back ON.

The Loop Prevention LED should be a Solid Green or Blinking Green indicating that the feature is enabled.

Disabling Loop Prevention

Perform the following procedure to disable the Loop Prevention feature:

1. Set DIP switch # 3 to the DOWN position. See Figure 48.

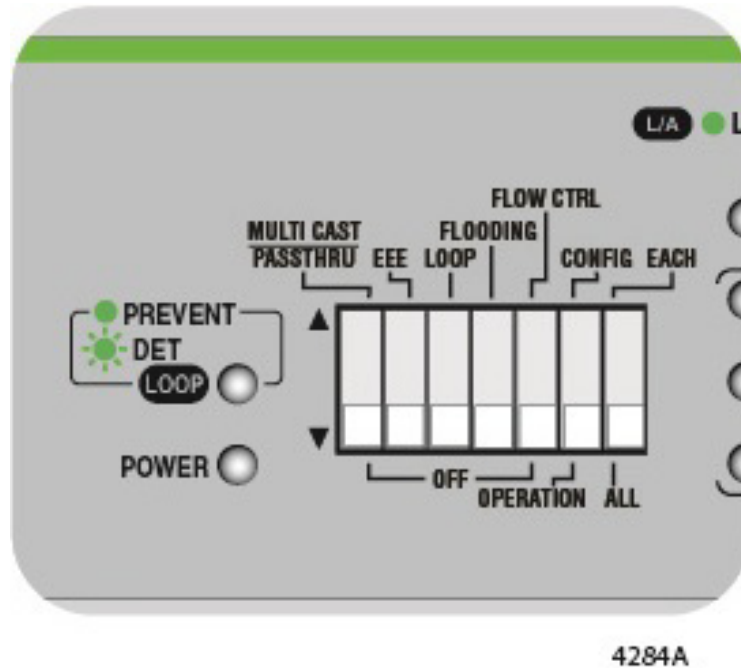


Figure 48. DIP Switch Settings for Disabling Loop Prevention

2. Turn the power OFF by unplugging the AC power cord and then back ON again by reconnecting it to the AC outlet on the switch. The new configuration is now implemented and effective and the Loop Prevention feature is disabled.

Note

A recently changed DIP switch setting becomes effective ONLY after you turn the switch's AC power OFF and then back ON.

The Loop Prevention LED should be OFF indicating that the feature is disabled.

Flooding DIP switch # 4 enables or disables the Flooding feature. See Figure 42, “Front Panel Configuration Switches and LEDs” on page 72 for the DIP switch location on the front panel.

Note

The Flooding feature has priority over Multicast Frame Pass-Through feature when both are enabled.

Note

When Flooding is enabled, all packet types including BPDU packets are allowed to pass through the switch with the following exceptions:

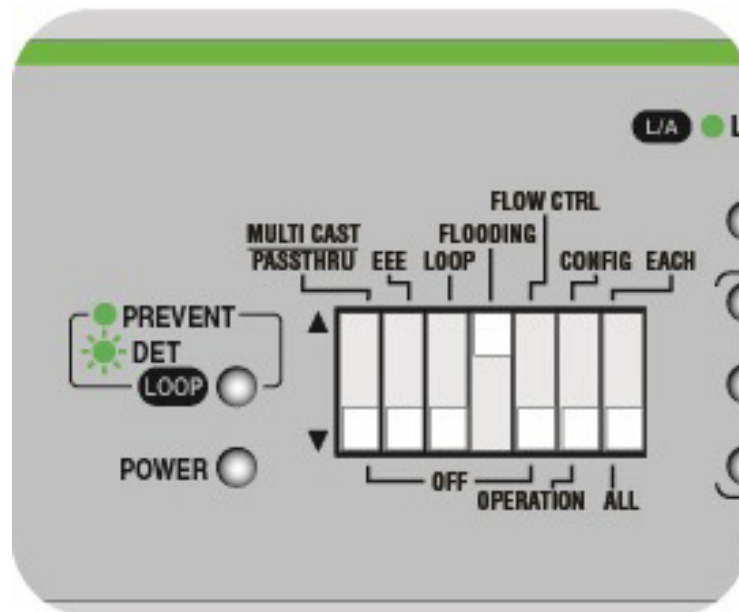
- a. Any MAC address containing Ether-type 0x8808 is filtered on the AT-GS920/8 only.
- b. 802.3x Pause Frames are filtered.

Allied Telesis recommends disabling the Multicast Frame Pass-Through feature when the Flooding feature is enabled.

Enabling Flooding

Perform the following procedure to enable the Flooding feature:

1. Set DIP switch # 4 to the UP position to enable this feature. See Figure 49.



4288

Figure 49. DIP Switch Settings for Enabling Flooding

- Turn the power OFF by unplugging the AC power cord and then back ON again by reconnecting it to the AC outlet on the switch. The new switch setting is now implemented and effective and Flooding is enabled on all of the Ethernet ports.

Note

A recently changed DIP switch setting becomes effective ONLY after you turn the switch's AC power OFF and then back ON.

Disabling Flooding

Perform the following procedure to disable the Flooding feature:

- Set DIP switch # 4 to the DOWN position. See Figure 50.

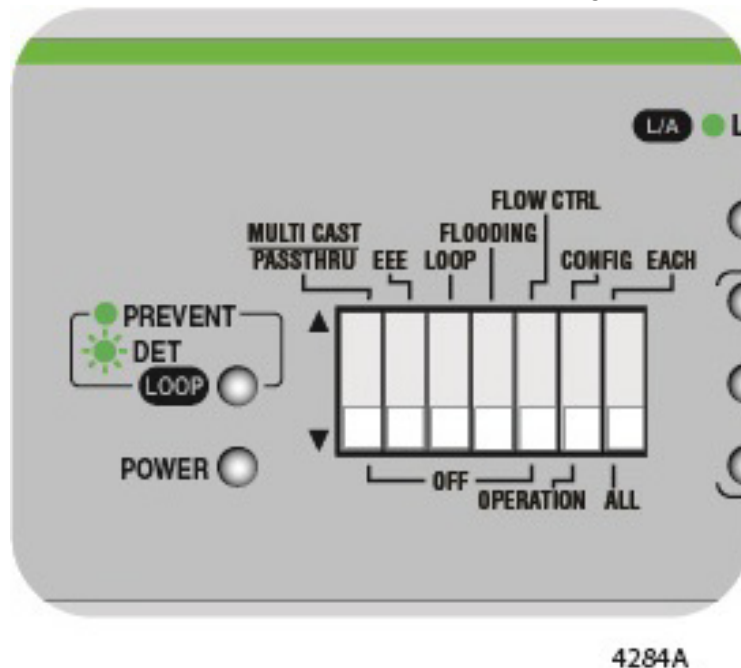


Figure 50. DIP Switch Settings for Disabling Flooding

- Turn the power OFF by unplugging the AC power cord and then back ON again by reconnecting it to the AC outlet on the switch. The new configuration is now implemented and effective and the Flooding feature is disabled.

Note

A recently changed DIP switch setting becomes effective ONLY after you turn the switch's AC power OFF and then back ON.

Flow Control

DIP switch # 5 enables or disables the Flow Control feature. See Figure 42, "Front Panel Configuration Switches and LEDs" on page 72 for the DIP switch location on the front panel.

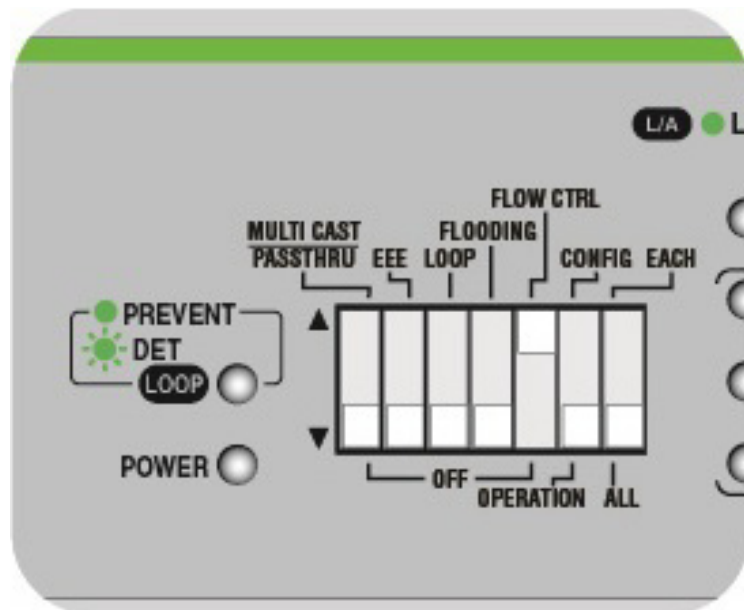
Note

Loop Detection must be disabled when the Flow Control feature is enabled. See "Disabling Loop Prevention" on page 79

Enabling Flow Control

Perform the following procedure to enable the Flow Control feature:

1. Set DIP switch # 5 to the UP position to enable this feature. See Figure 51.



4289

Figure 51. DIP Switch Settings for Enabling Flow Control

2. Turn the power OFF by unplugging the AC power cord and then back ON again by reconnecting it to the AC outlet on the switch. The new switch setting is now implemented and effective and the Flow Control feature is enabled.

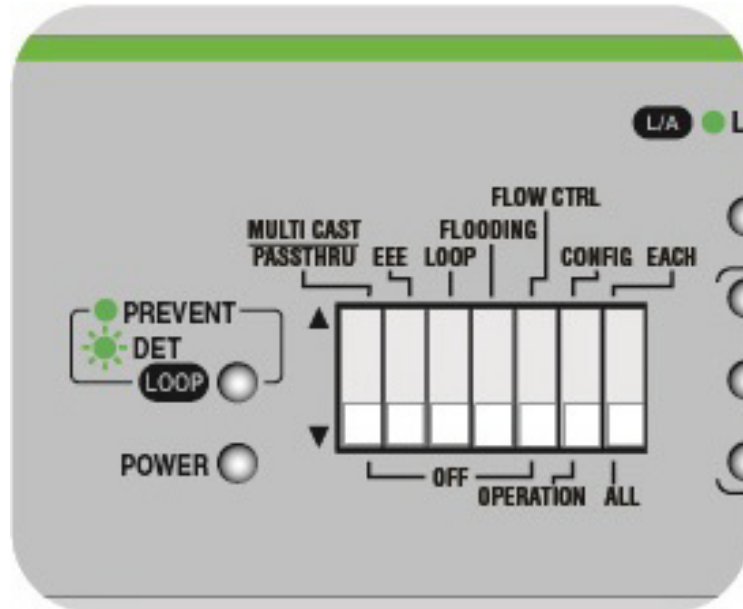
Note

A recently changed DIP switch setting becomes effective ONLY after you turn the switch's AC power OFF and then back ON.

Disabling Flow Control

Perform the following procedure to disable the Flooding feature:

1. Set DIP switch # 5 to the DOWN position to disable this feature. See Figure 52.



4284A

Figure 52. DIP Switch Settings for Disabling Flow Control

2. Turn the power OFF by unplugging the AC power cord and then back ON again by reconnecting it to the AC outlet on the switch. The new configuration is now implemented and effective and the Flow Control feature is disabled.

Note

A recently changed DIP switch setting becomes effective ONLY after you turn the switch's AC power OFF and then back ON.

Ethernet Port Configuration

The AT-GS920 switch ports can be configured for the speed, duplex mode, and MDI/MDIX settings. The ports can be configured all together or individually. See Table 20 for more details.

Table 20. Port Configuration

Port Configuration	Default Settings	Options
Speed and Duplex Mode	100 Mbps in Half Duplex	<input type="checkbox"/> Auto Negotiation <input type="checkbox"/> 1000M in Full <input type="checkbox"/> 100M in Full <input type="checkbox"/> 100M in Half <input type="checkbox"/> 10 M in Full <input type="checkbox"/> 10 M in Half
MDI/MDIX	Auto MDI/MDIX	<input type="checkbox"/> Auto MDI/MDIX <input type="checkbox"/> Force MDI/MDIX

Configuring All Ports with the Same Speed and Duplex Settings

Perform the following procedure to set all of the ports to the same speed and duplex configuration:

1. Set DIP switch # 6 (OPERATION/CONFIG) to the UP (CONFIG) position.

The switch is now in the port configuration mode.

2. Set DIP switch # 7 (ALL/EACH) to the DOWN (ALL) position as shown in Figure 53.

All of the port LEDs flash indicating that all of the ports are ready to be configured.

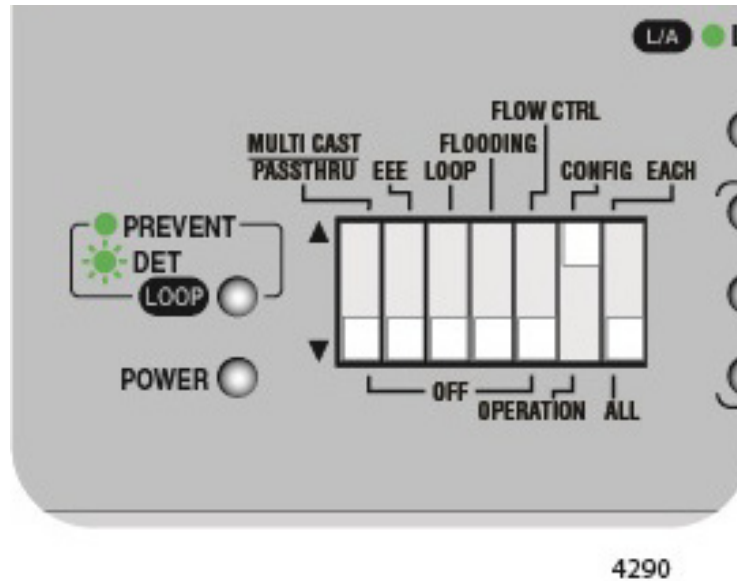


Figure 53. DIP Switch Settings for Configuring All Ports

3. Push the MODE button for less than 1 second to select a pre-configured port configuration setting.

You can select one from six pre-configured settings;

- Auto-Negotiation
- 1000M in full duplex
- 100M in full duplex
- 100M in half duplex
- 10M in full duplex
- 10M in half duplex.

Each time you press the MODE button, the port configuration advances to the next pre-configured setting in the sequence. Figure 54 shows the sequence and each MODE LEDs display.

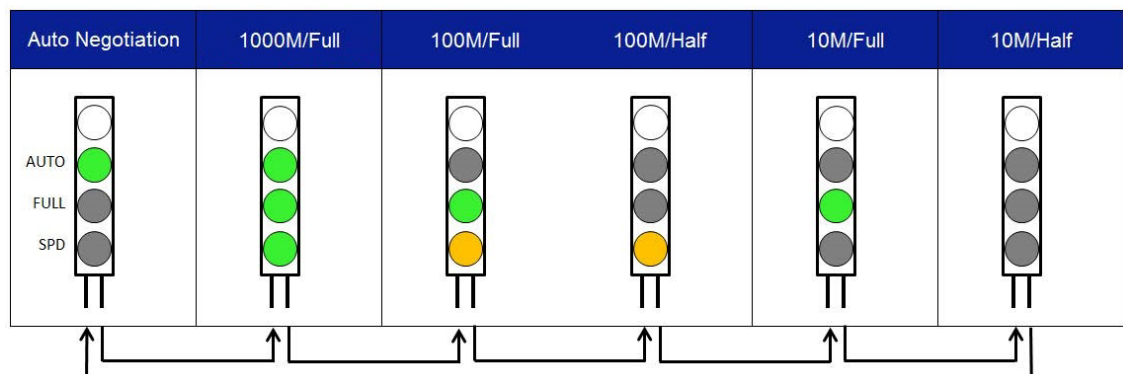


Figure 54. Port Configuration

Note

The FORCE_MDI / MODE push button is a dual purpose button. When it is pressed for less than one second, it advances the configuration port settings for speed and duplex. When it is pressed for more than one second, the configuration is toggled between Force MDI/MDI-X and Auto MDI/MDI-X.

4. Set DIP switch # 6 (OPERATION/CONFIG) to the DOWN (OPERATION) position.

The switch is in the port operational mode. The new port configuration is temporarily stored in flash memory, but is not yet implemented.

5. Turn the power OFF by unplugging the AC power cord and then back ON again by reconnecting it to the AC outlet on the switch.

The new port configuration for all of the Ethernet ports is implemented and effective.

Note

This new configuration *only* takes effect after turning the switch OFF and then back ON.

Configuring Individual Ports with Speed and Duplex

To set individual ports to specific speeds and duplex modes, perform the following procedure:

1. Set DIP switch # 6 (OPERATION/CONFIG) to the UP (CONFIG) position.

The switch is now in the port configuration mode.

2. Set DIP switch # 7 (ALL/EACH) to the UP (EACH) position as show in Figure 55.

The SPD/LOOP LED flashes for Port # 1 indicating that this port is ready to be configured.

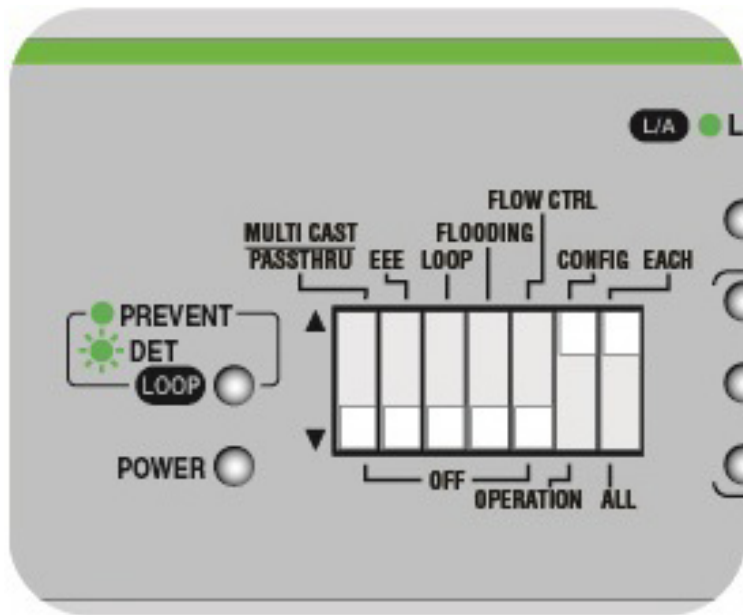


Figure 55. DIP Switch Settings for Configuring an Individual Port

3. Press the NEXT PORT button to select the port you want to configure.

Each time you press the NEXT PORT button, the next port is selected. When a port is selected, its SDP/LOOP LED flashes indicating that this port is ready to be configured.

4. Push the MODE button for less than 1 second to select a pre-configured port configuration setting.

You can select one from six pre-configured settings;

- Auto-Negotiation
- 1000M in full duplex
- 100M in full duplex
- 100M in half duplex
- 10M in full duplex
- 10M in half duplex.

Each time you press the MODE button, the port configuration advances to the next pre-configured setting in the sequence. Figure 54 on page 86 shows the sequence and each MODE LEDs display.

Note

The FORCE_MDI / MODE push button is a dual purpose button. When it is pressed for less than one second, it advances the configuration port settings for speed and duplex. When it is pressed for more than one second, the configuration is toggled between Force MDI/MDI-X and Auto MDI/MDI-X.

5. Repeat Step 3 and Step 4 if you want to configure other ports.
6. After all the ports are individually configured, set DIP switch # 6 (OPERATION/CONFIG) to the DOWN (OPERATION) position.

The switch is now in the port operational mode. The new port configuration is now temporarily stored in flash memory, but is not yet implemented.

7. Turn the power OFF by unplugging the AC power cord and then back ON again by reconnecting it to the AC outlet on the switch.

The new port configurations are now implemented and effective.

Note

This new configuration *only* takes effect after turning the switch OFF and then back ON.

**Force MDI/
MDI-X and Auto
MDI/MDI-X**

The switch ports can be configured to Auto MDI/MDI-X or Force MDI/MDI-X. You can configure MDI/MDI-X on ports all together or individually. Table 21 explains these options.

Table 21. MDI/MDI-X Settings

Configuration Method	Option	Description
All ports together	Force MDI/MDI-X	All ports except the highest number port are fixed to MDI. The highest number port is fixed to MDI-X.
	Auto MDI/MDI-X	All ports are configured to Auto MDI/MDI-X. When ports are set to fixed speed 10Mbps or 100Mbps, these ports are fixed to MDI-X.
Each port	Force MDI/MDI-X	If a selected port is not the highest number port, the port is fixed to MDI. If you select the highest number port, the port is fixed to MDI-X.
	Auto MDI/MDI-X	A selected port is configured to Auto MDI/MDI-X. When the port is set to fixed speed 10Mbps or 100Mbps, the port is set to MDI-X.

Configuring All Ports with Auto or Force MDI/MDI-X

The ports can be configured for Auto MDI/MDI-X or Force MDI/MDI-X on all ports together. For more information, see “Force MDI/MDI-X and Auto MDI/MDI-X” on page 84.

To change the MDI/MDI-X setting on all ports together, perform the following procedures:

1. Set DIP switch # 6 (OPERATION/CONFIG) to the UP (CONFIG) position.

The switch is now in the port configuration mode.

2. Set DIP switch # 7 (ALL/EACH) to the DOWN (ALL) position.

All of the port SPD/LOOP LEDs flash indicating that all of the ports are ready to be configured. See Figure 53 on page 85.

3. Push the MODE button for more than 1 second to toggle Auto MDI/MDI-X and Force MDI/MDI-X.

When the FORCE MDI LED is on, Force MDI/MDI-X is on; when the FORCE MDI LED is off, Auto MDI/MDI-X is on.

Note

The FORCE_MD / MODE push button is a dual purpose button. When it is pressed for less than one second, it advances the configuration port settings for speed and duplex. When it is pressed for more than one second, the configuration is toggled between Force MDI/MDI-X and Auto MDI/MDI-X.

4. After changing the setting, set DIP switch # 6 (OPERATION/CONFIG) to the DOWN (OPERATION) position.

The switch is now in the port operational mode. The new port configuration is now temporarily stored in flash memory, but is not yet implemented.

5. Turn the power OFF by unplugging the AC power cord and then back ON again by reconnecting it to the AC outlet on the switch.

The new port configurations are now implemented and effective.

Note

This new configuration *only* takes effect after turning the switch OFF and then back ON.

Configuring Individual Ports with Auto or Force MDI/MDI-X

The ports can be individually configured for Auto MDI/MDI-X or Force MDI/MDI-X. For more information, see "Force MDI/MDI-X and Auto MDI/MDI-X" on page 84.

To change the MDI/MDI-X setting on an individual port, perform the following procedures:

1. Set DIP switch # 6 (OPERATION/CONFIG) to the UP (CONFIG) position.

The switch is now in the port configuration mode.

2. Set DIP switch # 7 (ALL/EACH) to the UP (EACH) position as show in Figure 55 on page 87.

The SPD/LOOP LED flashes for Port # 1 indicating that this port is ready to be configured.

3. Press the NEXT PORT button to select the port you want to configure.

Each time you press the NEXT PORT button, the next port is selected. When a port is selected, its SDP/LOOP LED flashes indicating that this port is ready to be configured.

4. Push the MODE button for more than 1 second to toggle Auto MDI/MDI-X and Force MDI/MDI-X.

When the FORCE MDI LED is on, Force MDI/MDI-X is on; when the FORCE MDI LED is off, Auto MDI/MDI-X is on.

Note

The FORCE_MDI / MODE push button is a dual purpose button. When it is pressed for less than one second, it advances the configuration port settings for speed and duplex. When it is pressed for more than one second, the configuration is toggled between Force MDI/MDI-X and Auto MDI/MDI-X.

5. Repeat Step 3 and Step 4 if you want to configure other ports.
6. After changing the setting, set DIP switch # 6 (OPERATION/CONFIG) to the DOWN (OPERATION) position.

The switch is now in the port operational mode. The new port configuration is now temporarily stored in flash memory, but is not yet implemented.

7. Turn the power OFF by unplugging the AC power cord and then back ON again by reconnecting it to the AC outlet on the switch.

The new port configurations are now implemented and effective.

Note

This new configuration *only* takes effect after turning the switch OFF and then back ON.

Resetting Ports to Default Settings

To return to the default configuration, perform the following procedure:

Note

For the default values, see Table 20 on page 84.

1. Set DIP switch # 6 (OPERATION/CONFIG) to the UP (CONFIG) position. See Figure 53 on page 85.

The switch is now in the port configuration mode.

2. Set DIP switch # 7 (ALL/EACH) to the DOWN (ALL) position.

The SPD/LOOP LEDs of all ports are flashing now.

3. Push the “NEXT PORT” button for three seconds or more.

The configuration of all ports is back to default. The four MODE LEDs flash until the button is released.

4. Set DIP switch # 6 (OPERATION/CONFIG) to the DOWN (OPERATION) position.

The switch is now in the port operational mode. The default configuration is now temporarily stored in flash memory, but is not yet implemented.

5. Turn the power OFF by unplugging the AC power cord and then back ON again by reconnecting it to the AC outlet on the switch.

The ports are now set to the factory default settings of Auto-Negotiation and Auto MDI/MDI-X.

Note

This new configuration *only* takes effect after turning the switch OFF and then back ON.

Chapter 5

Troubleshooting

This chapter contains information on how to troubleshoot the switch in the event a problem occurs.

Note

If you are still unable to resolve the problem after following the instructions in this chapter, contact Allied Telesis Technical Support for assistance. Refer to “Contacting Allied Telesis” on page 11.

Check the POWER LED on the front of the switch. If the LED is OFF, indicating that the unit is not receiving power, do the following:

- Verify that the power cord is securely connected to the power source and to the connector on the back panel of the switch.
- Verify that the power outlet or power supply has power by connecting another device to it.
- Try connecting the unit to another power source.
- Try using a different power cord.
- Verify that the voltage from the power source is within the required levels for your region.

Verify that the L/A LED for each port is green. If an L/A LED is OFF, do the following:

- Verify that the end-node connected to the port is powered ON and is operating properly.
- Verify that the twisted pair cable is securely connected to the port on the switch and to the port on the end-node.
- Ensure that the twisted pair cable does not exceed 100 meters (328 feet).
- Verify that you are using the appropriate category of twisted pair cable: Category 3 or better for 10 Mbps operation, Category 5 for 100 Mbps operation, and four-pair Category 5e for 1000 Mbps.

Appendix A

Technical Specifications

This appendix contains the following sections:

- “Physical Specifications”
- “Environmental Specifications”
- “Safety” on page 96
- “Electromagnetic Emissions Certifications” on page 97
- “EMS (Electromagnetic Susceptibility) EN55024:2010” on page 98
- “Power Specifications” on page 98
- “RJ-45 Twisted Pair Port Connectors” on page 99

Physical Specifications

Dimensions:

AT-GS920/8PS	210 mm x 275 mm x 43 mm
AT-GS920/8	210 mm x 121 mm x 38 mm
AT-GS920/16	263 mm x 179 mm x 38 mm
AT-GS920/24	341 mm x 210 mm x 44 mm

Weight:

AT-GS920/8PS	2.5 Kg
AT-GS920/8	0.8 Kg
AT-GS920/16	1.4 Kg
AT-GS920/24	2.1 Kg

Environmental Specifications

Operating Temperature:	0° C to 50° C (32° F to 122° F)
Storage Temperature:	-20° C to 70° C (-4° F to 158° F)
Operating Humidity:	5% to 80% non-condensing
Storage Humidity:	5% to 95% non-condensing

Safety

60950-1 (cULus)	UL, cULus
-----------------	-----------

CE

IEC/EN60950-1	UL-CB
---------------	-------

EN60950-1	UL-EU
-----------	-------

The following standard applies only to the AT-GS920/8PS model:

62368-1	UL, cULus, UL-CB, UL-EU
---------	-------------------------

Electromagnetic Emissions Certifications

EMI (Electro Magnetic Interference)	(Class A)	AT-GS920/8PS
	(Class B)	AT-GS920/8
	(Class B)	AT-GS920/16
	(Class A)	AT-GS920/24 US
ICES-003 Class A or B	(Class A)	AT-GS920/8PS
	(Class B)	AT-GS920/8
	(Class B)	AT-GS920/16
	(Class A)	AT-GS920/24 CA
EN55032: 2012/AC: 2013 Class A or B	(Class A)	AT-GS920/8PS
	(Class B)	AT-GS920/8
	(Class B)	AT-GS920/16
	(Class A)	AT-GS920/24 EU
CISPR 32	(Class A)	AT-GS920/8PS
	(Class B)	AT-GS920/8
	(Class B)	AT-GS920/16
	(Class A)	AT-GS920/24 JP
RCM AS/NZS CISPR 32: 2013	(Class A)	AT-GS920/8PS
	(Class B)	AT-GS920/8
	(Class B)	AT-GS920/16
	(Class A)	AT-GS920/24 AU/NZ
ANATEL	(Class A)	AT-GS920/24 Brazil
Immunity	EN55024, EN61000-3-2, EN61000-3-3	
Electrical Safety	UL 60950-1 (cULus), UL-CB, UL-EU	



Warning

In a domestic environment this product may cause radio interference in which case the user may be required to take adequate measures.

⌘ E84



Attention

Dans un environnement domestique, ce produit peut provoquer des interférences radio, auquel cas l'utilisateur peut être tenu de prendre les mesures appropriées. ⌘ E84

EMS (Electromagnetic Susceptibility) EN55024:2010

IEC 61000-4-2:2009	Electrostatic Discharge
IEC 61000-4-3:2006 + A1:2008 + A2:2010	RF Radiated Immunity
IEC 61000-4-4:2012	First Transient Burst
IEC 61000-4-5:2014	Surge
IEC 61000-4-6:2014	RF Conducted Immunity
IEC 61000-4-8:2010	Power Frequency Magnetic Field Immunity
IEC 61000-4-11:2004	Short Interruptions and Voltage Variations
IEC 61000-3-2:2014	Harmonic Current Emission
IEC 61000-3-3:2013	Voltage Fluctuations and Flicker

Power Specifications

Model	Power Ratings	Frequency
AT-GS920/8PS	100 - 240 VAC, 1.70A	50/60 Hz
AT-GS920/8	100 - 240 VAC, 0.20 A	50/60 Hz
AT-GS920/16	100 - 240 VAC, 0.30 A	50/60 Hz
AT-GS920/24	100 - 240 VAC, 0.40 A	50/60 Hz

RJ-45 Twisted Pair Port Connectors

This section lists the connectors and connector pinouts for the AT-GS920 series switch and its components.

Figure 56 illustrates the physical pin layout to an RJ-45 connector and port.

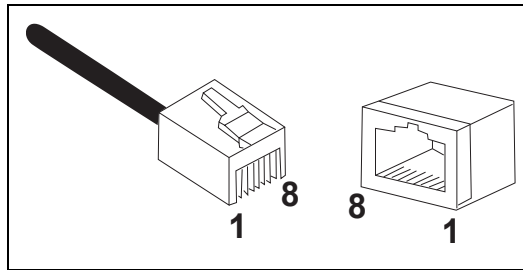


Figure 56. RJ-45 Connector and Port Pin Layout

Table 22 lists the RJ-45 pin signals when a twisted pair port is operating in the MDI configuration.

Table 22. MDI Pin Signals (10Base-T or 100Base-TX)

Pin	Signal
1	TX+
2	TX-
3	RX+
6	RX-

Table 23 lists the RJ-45 port pin signals when a twisted pair port is operating in the MDI-X configuration.

Table 23. MDI-X Pin Signals (10Base-T or 100Base-TX)

Pin	Signal
1	RX+
2	RX-
3	TX+
6	TX-

Table 24 lists the pin signals when a port is operating at 1000 Mbps.

Table 24. Pin Signals (1000 Mbps)

Pin	Pair	Signal Name
1	1	TX+_D1
2	1	TX-_D1
3	2	RX+_D2
4	3	BI+_D3
5	3	BI-_D5
6	2	RX-_D2
7	4	BI+_D4
8	4	BI-_D4

Appendix B

AT-GS920/24 Switch Wall Mount Installation

This appendix explains the procedures for this installation using the AT-BRKT-J22 wall mount kit. It contains the following sections:

- “Unpacking the AT-BRKT-J22 Wall Mount Kit” on page 102
- “Installing a Switch Using the AT-BRKT-J22 Wall Mount Kit” on page 103

Note

When you are installing the AT-GS920/24 switch in a rack in Japan, you need to use the AT-BRKT-J22 wall mount kit which must be purchased separately from the switch.

Note

Before you begin to install the switch using the AT-BRKT-J22 wall mount kit, review “Reviewing Safety Precautions” on page 32.

Unpacking the AT-BRKT-J22 Wall Mount Kit

To unpack the AT-BRKT-J22 wall mount kit, perform the following procedure:

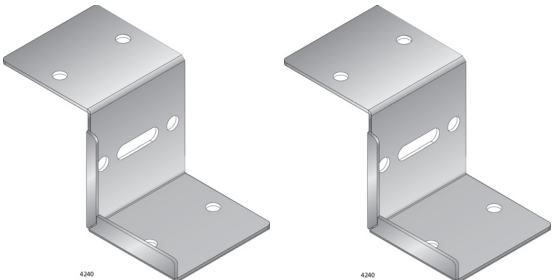
1. Remove all components from the shipping package.

Note

Store the packaging material in a safe location. You must use the original shipping material if you need to return the unit to Allied Telesis.

2. Verify that One pair of brackets is included in your wall mount package listed in Table 25.

Table 25. Components in the AT-BRKT-J22 Wall Mount Kit

Description	Components
Two pairs of brackets	

3. If any item is missing or damaged, contact your Allied Telesis sales representative for assistance.

Installing a Switch Using the AT-BRKT-J22 Wall Mount Kit

This section shows you steps to install a switch on a wall using the AT-BRKT-J22 kit.

What to Prepare

Before installing a switch on a wall, make sure that the following items are ready.

- An AT-BRKT-J22 wall mount kit
- Eight screws to attach the brackets to a wall
- Eight plastic anchors for the screws
- Phillips-head screwdriver
- Pencil

Note

Screws and plastic anchors are not included in the shipping box. You must provide screws that hold the switch securely to the wall.

Installing a Switch Using the AT-BRKT-J22 Brackets

To install the switch on a wall, perform the following procedure:

1. If the rubber feet were previously installed, remove them as shown in Figure 57.

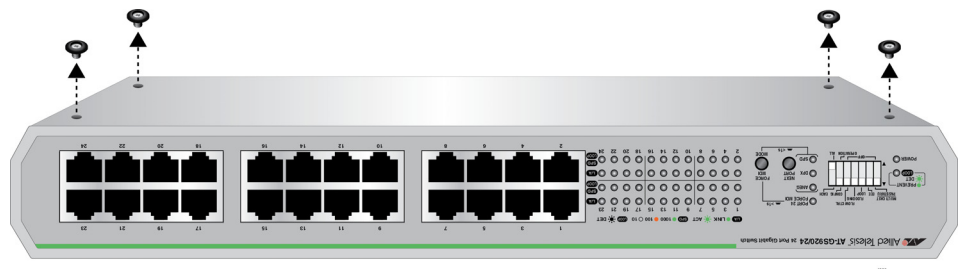


Figure 57. Removing AT-GS920/24 Rubber Feet

2. Orient the brackets against the sides of the switch.

3. Have another person hold the switch with the brackets at the wall location where the switch is to be installed. Use a pencil to mark the wall with the locations of the four holes in the brackets. See Figure 58 as an example.

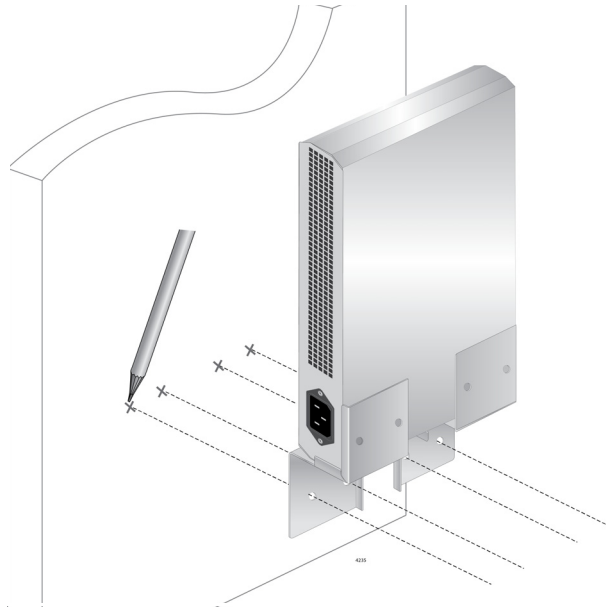


Figure 58. Marking the Screw Hole Locations

4. Pre-drill the marked locations on the wall at the locations marked in Step 3.
5. Install the four plastic anchors into the wall in the holes drilled in Step 4.

6. Position brackets on the wall and drive screws through the holes to attach the brackets on the wall. See Figure 59.

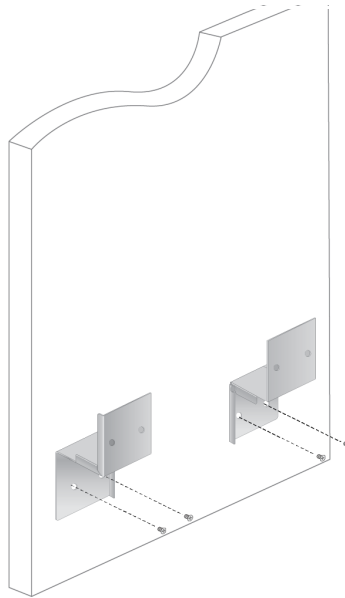


Figure 59. Driving the Screws through the Holes

7. Make sure that the two brackets are installed securely.
8. Slide the switch into the brackets on the wall as shown in Figure 60.

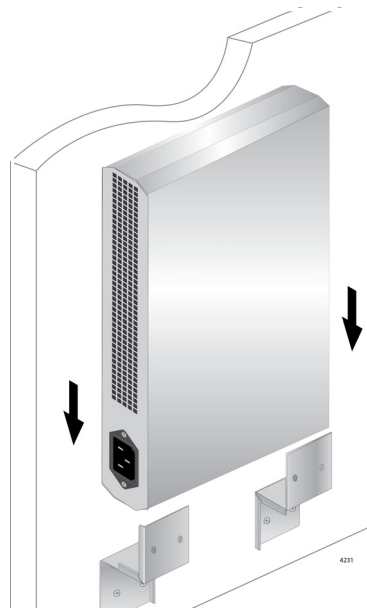


Figure 60. Placing the Switch into the Brackets

9. Place the other two brackets on the top of the switch and mark the screw hole locations with a pencil as shown in Figure 61.

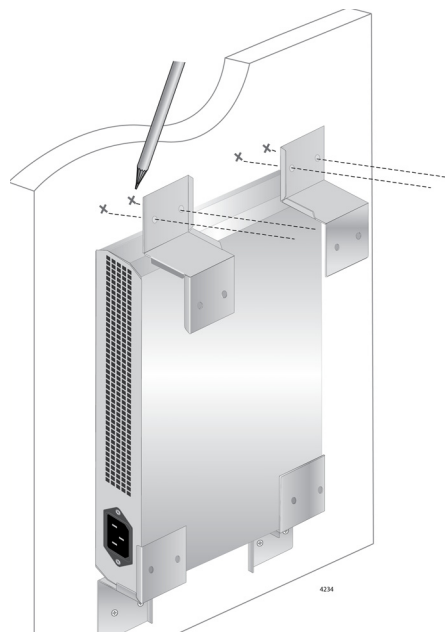


Figure 61. Marking the Screw Hole Locations

10. Remove the two brackets and switch and set aside.
11. Pre-drill the marked locations on the wall at the locations marked in Step 9.
12. Install the four plastic anchors into the wall in the holes drilled in Step 11.
13. Slide the switch into the bottom brackets and place the other two brackets on the top of the switch
14. Install the screws through the bracket holes to attach them to the wall. See Figure 62 on page 107.

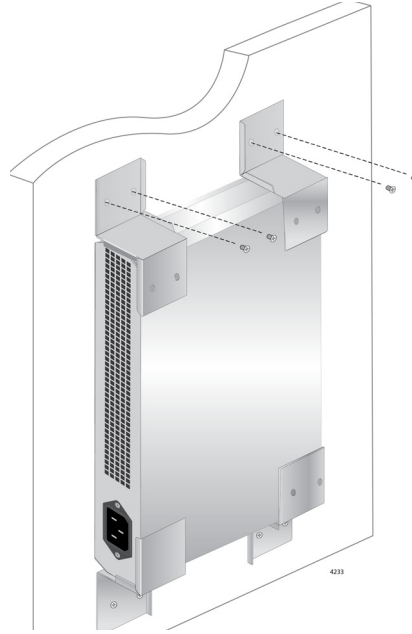


Figure 62. Driving the Screws through the Holes

15. Make sure that the switch is installed securely to the wall. Proceed to “Cabling the Switch” on page 57 and then to “Powering On the Switch” on page 58

Appendix C

Loop Prevention Feature

The following sections are contained in this appendix:

- ❑ “Guidelines for Loop Prevention” on page 110
- ❑ “Root Switch” on page 111
- ❑ “Detecting and Blocking a Loop” on page 113
- ❑ “Hop Count Limitation” on page 117

Note

You can configure the Loop Prevention feature by following the steps outlined in the “Switch Configuration” chapter under the section “Loop Prevention” on page 78.

The GS920 Series switches are equipped with a Loop Prevention feature. It detects loops and blocks ports in order to reduce negative effects on the local network while keeping connectivity of devices. Loops in Ethernet networks can cause broadcast storms that consume network bandwidth and reduce network performance.

When Loop Prevention is enabled, the switch sends Loop Prevention frames periodically. A loop is detected in the LAN when the switch receives the Loop Prevention frame sent from itself. When this occurs, the Loop Detection selects one of the LAN switches and its port to be blocked. Once the port is blocked, the following actions take place on the affected switch:

- The Loop LED starts blinking.
- The LED of the blocked port starts blinking.

When the loop is resolved or the link to the blocked port goes down, the port is relieved from the blocking state and both the switch Loop LED and port Loop LED stop blinking.

Guidelines for Loop Prevention

Here are guidelines for enabling Loop Prevention:

- Loop Prevention does not function properly when Flow Control is enabled. You Flow Control must disabled when Loop Prevention is enabled.
- When a loop is detected and a port is blocked, the switch does not flood packets even when Flooding is enabled.
- A port receives Loop Prevention frames even when the port is blocked.
- The AT-GS920/8 switch with Loop Prevention-enabled ignores a Loop Prevention frame if its hop count exceeds 32.
- The AT-GS920/16 and AT-GS920/24 switch with Loop Prevention-enabled ignores a Loop Prevention frame if its hop count exceeds 10
- Allied Telesis recommends designing the network with 10 or less cascade levels when building a Loop Prevention-enabled network.

Root Switch

The following topics are contained in this section:

- ❑ “Root Switch Overview”
- ❑ “Switch Priority”
- ❑ “Root Switch”
- ❑ “Non-root Switch”
- ❑ “Examples of Selecting a Root Switch” on page 112

Root Switch Overview

In a LAN topology with multiple GS920 Series switches, one of the switches is elected to be the root switch for the Loop Prevention feature. Initially, all of the GS920 Series switches are root switches. They broadcast Loop Prevention frames to each other and then compare their relative switch priorities. The switch with the highest switch priority is selected to be the root switch. If multiple switches have the same highest switch priority, the switch with the smallest MAC address becomes the root switch.

Switch Priority

Table 26 shows the switch priorities specified for each GS920 Series model.

Table 26. Switch Priority

Model	Switch Priority
AT-GS920/8PS AT-GS920/8	Higher
AT-GS920/16 AT-GS920/24	Lower

Note

The AT-GS920/8PS and AT-GS920/8 switches have higher priority than the AT-GS920/16 and AT-GS920/24 switches.

Root Switch

Once a switch is assigned as the root switch, it is responsible for sending out Loop Prevention frames. A loop condition exists if the root switch receives a Loop Prevention frame that it generates itself. Once a loop is detected, the root switch determines which switch/port to block within the LAN to prevent the loop.

Non-root Switch

If a switch is not selected as the Loop Prevention root switch, then it is a non-root switch. A non-root switch updates the hop count in the Loop Prevention frames before forwarding them. It also maintains a timer for each of the switch's ports.

When receiving a Loop Prevention frame at a port, the switch sets the port timer to 16 seconds. The timer decreases every second. When another Loop Prevention frame is received at the port, the switch refreshes the port timer again to 16 seconds. If all of the switch's port timers reach zero, then the switch interprets the situation as a topology change where the root switch no longer is present. The non-root switch changes itself back to a root switch and begins to broadcast Loop Prevention frames which starts a new selection process for a new root switch.

Examples of Selecting a Root Switch

Root Switch Based on Highest Priority

In the example shown in Figure 63, Switch A is elected as the root switch because this switch has the highest priority.

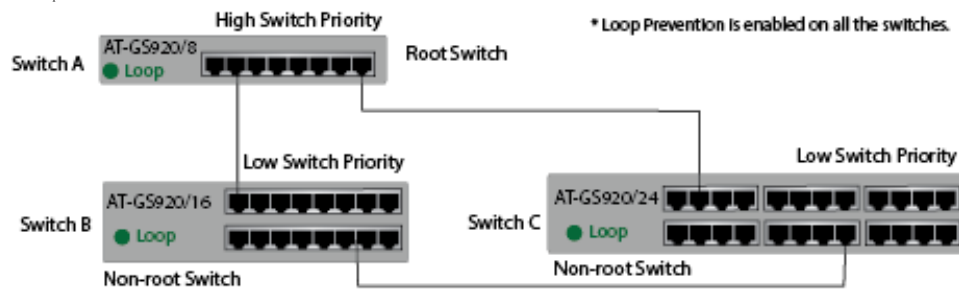


Figure 63. Case 1: Selecting a Root Switch

Root Switch Based on Highest Priority/Lowest MAC Address Value

In the example shown in Figure 64, Switch A has a higher priority than Switch C. Switch A and Switch B have the same switch priority. Since Switch A's MAC address is smaller than Switch B's, Switch A is elected as the root switch.

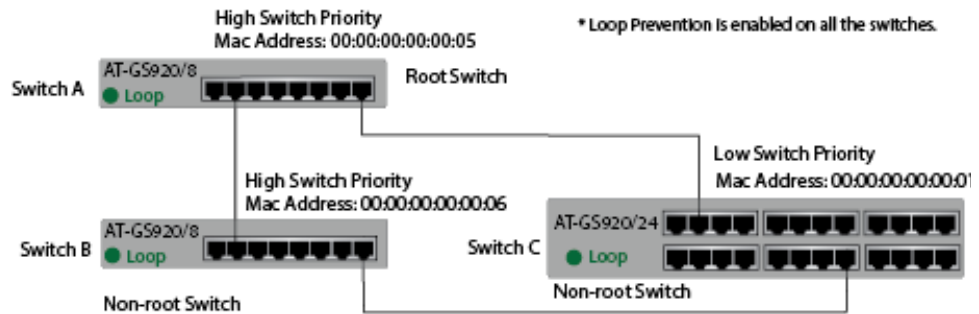


Figure 64. Case 2: Selecting a Root Switch

Detecting and Blocking a Loop

The following topics are contained in this section:

- ❑ “Loop Detection”
- ❑ “Blocked Port Selection Criteria”
- ❑ “Port Blocked Within a LAN” on page 114
- ❑ “Port Blocked on One Switch” on page 115
- ❑ “Blocking a Port Affected by an External Loop” on page 116

Loop Detection

Loop Prevention detects a loop in a LAN with using Loop Prevention frames. These frames are sent from the root switch to all the non-root switches. If the root switch receives a Loop Prevention frame that it generated, then a loop is detected. The Loop Prevention feature then decides which port in the LAN is to be blocked. The blocked port stops receiving and forwarding all data traffic except for the Loop Prevention frames.

Blocked Port Selection Criteria

After a loop is detected in the LAN, Loop Prevention selects a specific port for blocking by applying the following rules in order of precedence:

1. The port with the largest hop count from the root switch
2. Among the ports with the same hop count, the port that is connected to the switch with the lowest switch priority
3. Among the ports with the same hop count and switch priority, the port on the switch with the largest MAC address
4. Among the ports with the same hop count and on the same switch:
 - For the AT-GS920/8 switch, a port with the smaller port number
 - For the AT-GS920/8PS, AT-GS920/16, and AT-GS920/24 switches, a port with the larger port number

Port Blocked Within a LAN

When a loop is detected in the example shown in Figure 65, Port 8 on the Switch C is blocked to relieve the loop. This port has the largest hop count from the root switch.

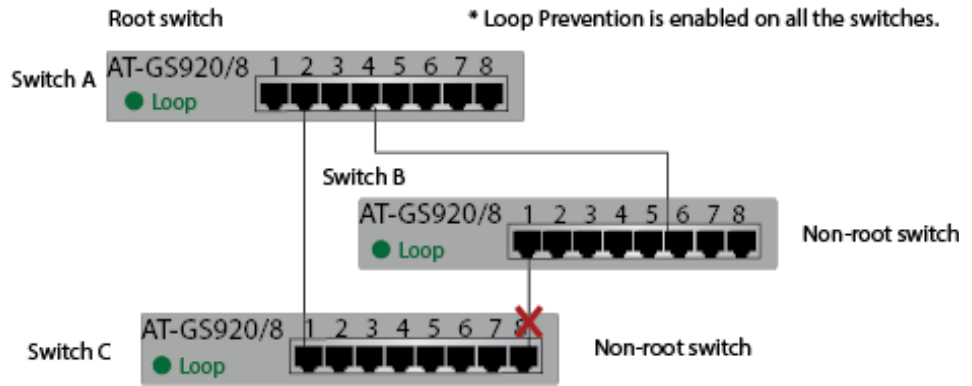


Figure 65. Case 1: Selecting a Port to be Blocked

When a loop is detected in the example shown in Figure 66, Port 1 on the Switch D is blocked to relieve the loop. Port 1 and Port 9 on Switch D have the same hop count, but Port 1 is blocked because the switch priority of Switch C where Port 1 is linked is lower than the switch priority of Switch B where Port 9 is linked.

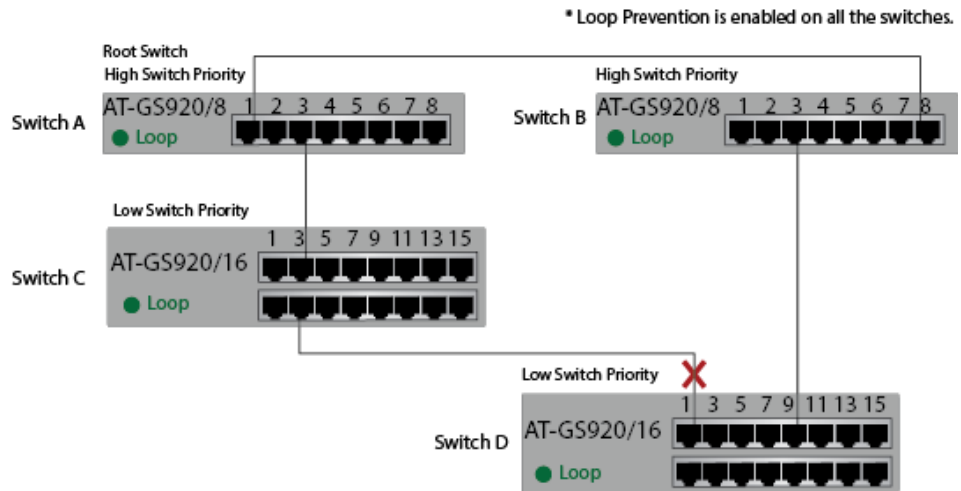


Figure 66. Case 2: Selecting a Port to be Blocked

When a loop is detected in the example shown in Figure 67 on page 115, Port 2 on the Switch C is blocked to relieve the loop. Port 2 on Switch C and Port 6 on Switch B have the same hop count and both ports are connected to an AT-GS920/8 switch, which means the same switch priority. However, the MAC address of Switch C is larger than the MAC address of Switch B. Therefore, Port 2 on Switch C is chosen to be blocked.

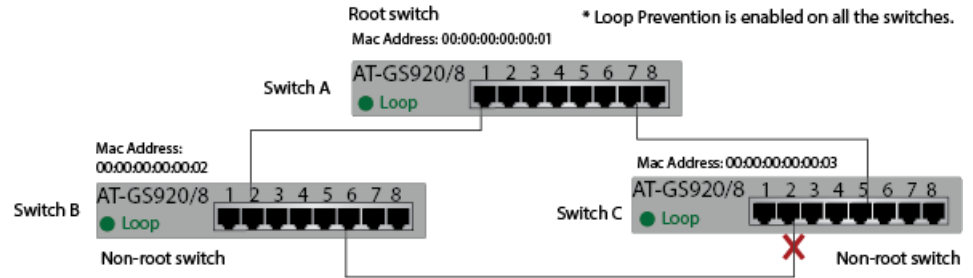


Figure 67. Case 3: Selecting a Port to be Blocked

Port Blocked on One Switch

When a loop occurs within one GS920 Series switch, all the ports have the same hop count, same switch priority, and same MAC address. Loop Prevention selects a port to block based on the port numbers.

When a loop occurs within one AT-GS920/8 switch, Loop Prevention blocks the port with the smaller port number. See Figure 68 as an example.

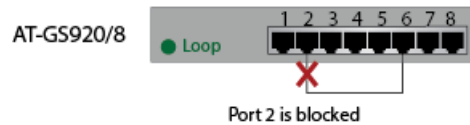


Figure 68. Blocked Port on One AT-GS920/8 Switch

When a loop occurs within one AT-GS920/16 or AT-GS920/24 switch, Loop Prevention blocks the port with the larger port number. See Figure 69 as examples.

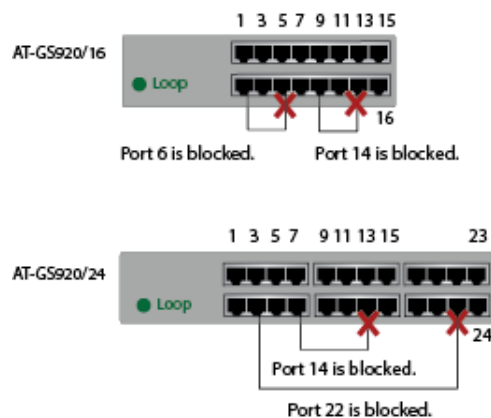


Figure 69. Blocked Port on One AT-GS920/16 or AT-GS920/24 Switch

Blocking a Port Affected by an External Loop

In the example shown in Figure 70, Switch A is the only switch that has Loop Prevention enabled in the LAN and the other switches in the LAN have Loop Prevention disabled.

Since Switch A is the only switch with Loop Prevention enabled, it is by definition the root switch. Port 1 of Switch A is blocked as a result.

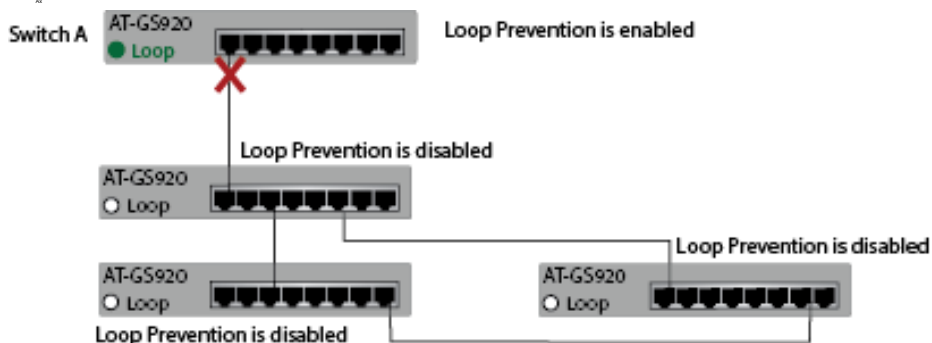


Figure 70. Blocking a Port Affected by an External Loop

Hop Count Limitation

Loop Prevention on the GS920 Series switch has a hop count limitation. Each GS920 Series switch has its maximum hop count as shown in Table 27. The Loop Prevention-enabled switch ignores the Loop Prevention frame when the hop count in the frame exceeds the maximum hop count of the switch.

Table 27. Maximum Hop Count

Model	Maximum Hop Count
AT-GS920/8PS AT-GS920/8	32
AT-GS920/16 AT-GS920/24	10

If one AT-GS920/16 or AT-GS920/24 switch exist in a topology, Loop Prevention ignores a Loop Prevention frame when its hop count is over 10.

Allied Telesis recommends designing the network with 10 or less cascade levels when building a Loop Prevention-enabled network.

